



AAVID
THERMALLOY

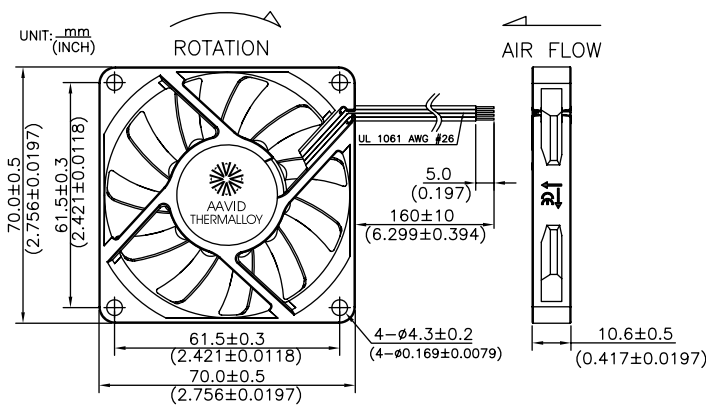
Advance Series (PA) 70mm x 70mm x 10mm



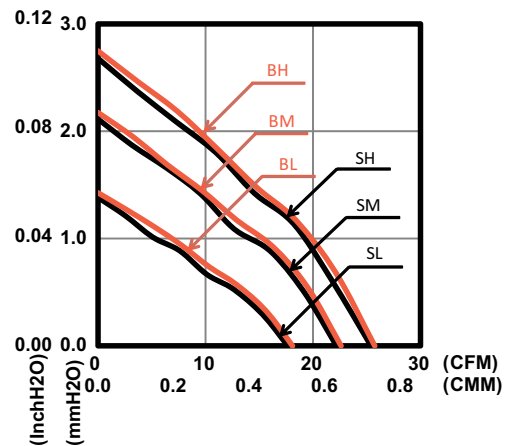
- » Bearing Type: FLB, Sleeve, Ball Bearing
- » Function Type (Optional): FG Signal
- » Protection (Optional) :
Auto Restart Protection
- » Lead Wire:
UL 1061 AWG #26 or Equivalent
Red Wire: Positive (+)
Black Wire: Negative (-)
Yellow Wire: FG Signal

PA SERIES 7010

DIMENSIONS DRAWING



PERFORMANCE CURVES



SPECIFICATION



Model	Function Type	Rated Voltage	Operating Voltage	Rated Current	Input Current	Input Power	Rated Speed	Air Flow		Air Pressure		Noise
		VDC	VDC	Amp	Amp	Watt		RPM	CMM	CFM	mmH ₂ O	
PAAD07010SL	0000/F000 P000/PF00	5	4~5.75	0.20	0.16	0.80	2500	0.50	17.7	1.38	0.06	24.0
PAAD07010SM		5	4~5.75	0.33	0.26	1.30	3100	0.63	22.2	2.11	0.08	29.5
PAAD07010SH		5	4~5.75	0.43	0.34	1.70	3500	0.72	25.4	2.68	0.11	32.5
PAAD17010SL	0000/F000 P000/PF00	12	6~13.8	0.20	0.08	0.96	2500	0.50	17.7	1.38	0.06	24.0
PAAD17010SM		12	6~13.8	0.25	0.12	1.44	3100	0.63	22.2	2.11	0.08	29.5
PAAD17010SH		12	6~13.8	0.30	0.19	2.28	3500	0.72	25.4	2.68	0.11	32.5
PAAD07010BL	0000/F000 P000/PF00	5	4~5.75	0.20	0.16	0.80	2600	0.51	18.1	1.42	0.06	24.5
PAAD07010BM		5	4~5.75	0.33	0.26	1.30	3200	0.64	22.6	2.18	0.09	30.5
PAAD07010BH		5	4~5.75	0.43	0.34	1.70	3600	0.73	25.8	2.75	0.11	33.5
PAAD17010BL	0000/F000 P000/PF00	12	6~13.8	0.20	0.08	0.96	2600	0.51	18.1	1.42	0.06	24.5
PAAD17010BM		12	6~13.8	0.25	0.12	1.44	3200	0.64	22.6	2.18	0.09	30.5
PAAD17010BH		12	6~13.8	0.30	0.19	2.28	3600	0.73	25.8	2.75	0.11	33.5

* Specifications are subject to change without notice



AAVID
THERMALLOY

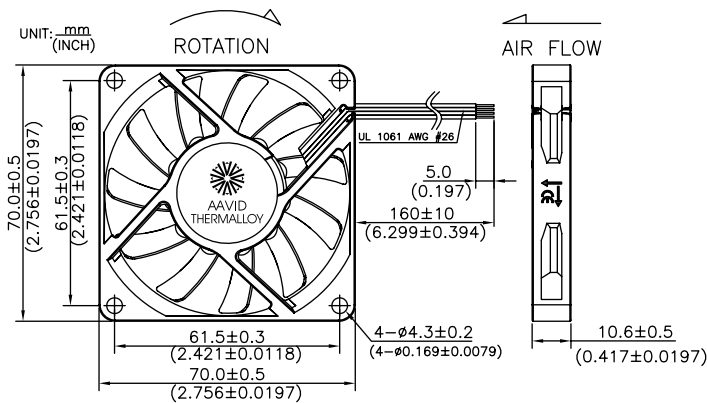
Superior Series (PS) 70mm x 70mm x 10mm



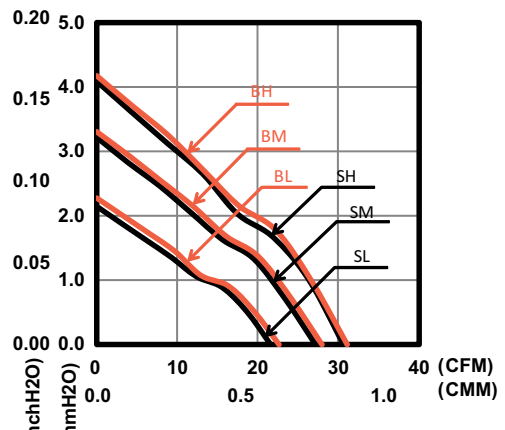
- » Bearing Type: FLB, Ball Bearing
- » Function Type (Optional): FG Signal, RD Signal, PWM
- » Protection:
 - Auto Restart Protection
 - Polarity Reverse Protection
- » Lead Wire:
 - UL 1061 AWG #26 or Equivalent
 - Red Wire: Positive (+)
 - Black Wire: Negative (-)
 - Yellow Wire: FG Signal, RD Signal
 - Blue Wire: PWM

PS SERIES 7010

DIMENSIONS DRAWING



PERFORMANCE CURVES



SPECIFICATION



Model	Function Type	Rated Voltage	Operating Voltage	Rated Current	Input Current	Input Power	Rated Speed	Air Flow		Air Pressure		Noise
		VDC	VDC	Amp	Amp	Watt		RPM	CMM	CFM	mmH2O	
PSAD07010SL	P000/PF00	5	4.5~5.5	0.23	0.18	0.90	3100	0.61	21.6	2.15	0.08	28.0
PSAD07010SM	PR00/M000	5	4.5~5.5	0.39	0.31	1.55	3800	0.77	27.2	3.21	0.13	34.5
	MF00/MR00											
PSAD17010SL	P000/PF00	12	6~13.8	0.15	0.11	1.32	3100	0.61	21.6	2.15	0.08	28.0
PSAD17010SM	PR00/M000	12	6~13.8	0.20	0.16	1.92	3800	0.77	27.2	3.21	0.13	34.5
PSAD17010SH	MF00/MR00	12	6~13.8	0.27	0.22	2.64	4300	0.87	30.7	4.09	0.16	38.0
PSAD07010BL	P000/PF00	5	4.5~5.5	0.23	0.18	0.90	3200	0.64	22.7	2.28	0.09	30.0
PSAD07010BM	PR00/M000	5	4.5~5.5	0.39	0.30	1.50	3900	0.79	28.0	3.31	0.13	36.0
	MF00/MR00											
PSAD17010BL	P000/PF00	12	6~13.8	0.15	0.12	0.44	3200	0.64	22.7	2.28	0.09	30.0
PSAD17010BM	PR00/M000	12	6~13.8	0.20	0.16	1.92	3900	0.79	28.0	3.31	0.13	36.0
PSAD17010BH	MF00/MR00	12	6~13.8	0.27	0.22	2.64	4400	0.88	31.1	4.17	0.16	39.5

* Specifications are subject to change without notice