



AAVID  
THERMALLOY

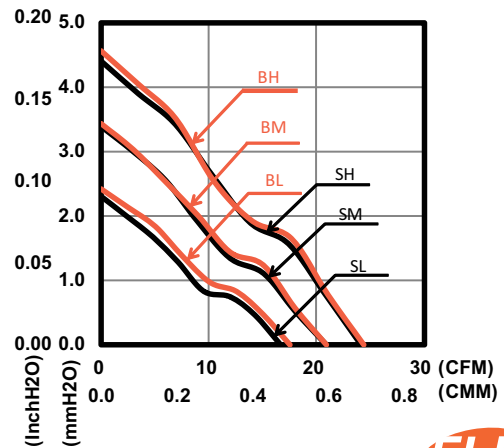
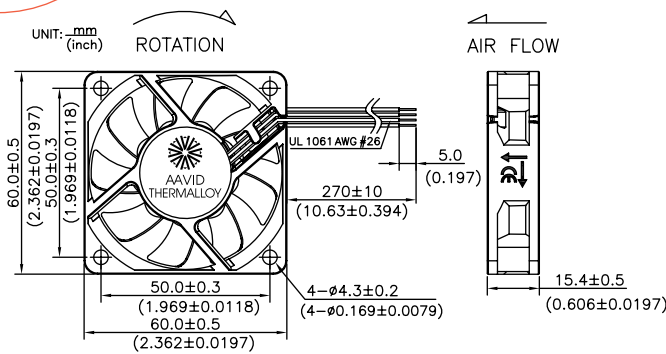
# Advance Series (PA) 60mm x 60mm x 15mm



- » Bearing Type: FLB, Sleeve, Ball Bearing
- » Function Type (Optional): FG Signal
- » Protection (Optional) :  
Auto Restart Protection
- » Lead Wire:  
UL 1061 AWG #26 or Equivalent  
Red Wire: Positive (+)  
Black Wire: Negative (-)  
Yellow Wire: FG Signal

## PERFORMANCE CURVES

## DIMENSIONS DRAWING



## SPECIFICATION

Model	Function Type	Rated Voltage	Operating Voltage	Rated Current	Input Current	Input Power	Rated Speed	Air Flow		Air Pressure		Noise
		VDC	VDC	Amp	Amp	Watt		RPM	CMM	CFM	mmH2O	
PAAD06015SL	0000/F000 P000/PF00	5	4~5.75	0.55	0.16	0.80	3200	0.47	16.6	2.31	0.09	24.5
PAAD06015SM		5	4~5.75	0.70	0.22	1.10	3900	0.59	20.9	3.39	0.13	30.0
PAAD06015SH		5	4~5.75	0.85	0.35	1.75	4500	0.68	24.1	4.41	0.17	33.0
PAAD16015SL	0000/F000 P000/PF00	12	6~13.8	0.15	0.08	0.96	3200	0.47	16.6	2.31	0.09	24.5
PAAD16015SM		12	6~13.8	0.25	0.12	1.44	3900	0.59	20.9	3.39	0.13	30.0
PAAD16015SH		12	6~13.8	0.35	0.16	1.92	4500	0.68	24.1	4.41	0.17	33.0
PAAD26015SH	0000/F000 P000/PF00	24	12~27.6	0.20	0.09	2.16	4500	0.68	24.1	4.41	0.17	33.0
PAAD06015BL	0000/F000 P000/PF00	5	4~5.75	0.55	0.16	0.80	3300	0.50	17.5	2.42	0.10	24.5
PAAD06015BM		5	4~5.75	0.70	0.22	1.10	4000	0.59	20.9	3.43	0.14	30.5
PAAD06015BH		5	4~5.75	0.85	0.35	1.75	4600	0.69	24.4	4.56	0.18	34.5
PAAD16015BL	0000/F000 P000/PF00	12	6~13.8	0.15	0.08	0.96	3300	0.50	17.5	2.42	0.10	24.5
PAAD16015BM		12	6~13.8	0.25	0.12	1.44	4000	0.59	20.9	3.43	0.14	30.5
PAAD16015BH		12	6~13.8	0.35	0.16	1.92	4600	0.69	24.4	4.56	0.18	34.5
PAAD26015BH	0000/F000 P000/PF00	24	12~27.6	0.20	0.09	2.16	4600	0.69	24.4	4.56	0.18	34.5

\* Specifications are subject to change without notice



AAVID  
THERMALLOY

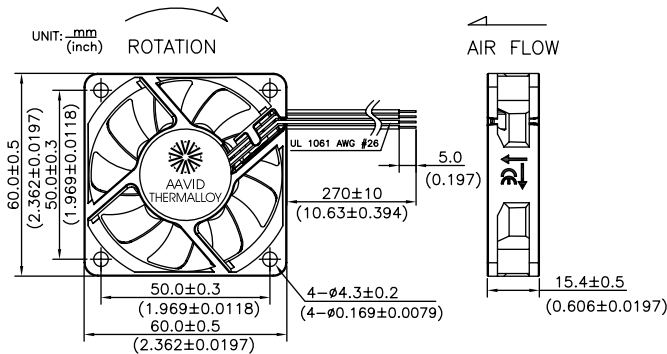
# Superior Series (PS) 60mm x 60mm x 15mm



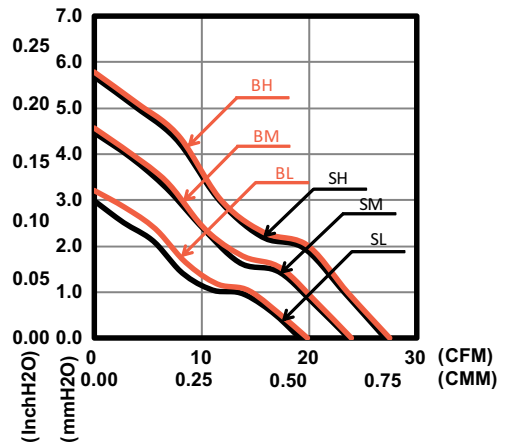
- » Bearing Type: FLB, Ball Bearing
- » Function Type (Optional): FG Signal, RD Signal, PWM
- » Protection (Optional):
  - Auto Restart Protection
  - Polarity Reverse Protection
- » Lead Wire:
  - UL 1061 AWG #26 or Equivalent
  - Red Wire: Positive (+)
  - Black Wire: Negative (-)
  - Yellow Wire: FG Signal
  - White Wire: RD Signal
  - Blue Wire: PWM

PS SERIES 6015

## DIMENSIONS DRAWING



## PERFORMANCE CURVES



## SPECIFICATION



Model	Function Type	Rated Voltage	Operating Voltage	Rated Current	Input Current	Input Power	Rated Speed	Air Flow		Air Pressure		Noise
		VDC	VDC	Amp	Amp	Watt		RPM	CMM	CFM	mmH <sub>2</sub> O	
PSAD06015SL	P000/PF00	5	4.5~5.5	0.22	0.17	0.85	3600	0.54	19.2	2.99	0.12	27.5
PSAD06015SM	PR00/M000	5	4.5~5.5	0.36	0.28	1.40	4400	0.67	23.7	4.47	0.18	32.5
PSAD16010SL	MF00/MR00	12	6~13.8	0.13	0.10	1.20	3600	0.54	19.2	2.99	0.12	27.5
PSAD16010SM	P000/PF00	12	6~13.8	0.17	0.13	1.56	4400	0.67	23.7	4.47	0.18	32.5
PSAD16010SH	PR00/M000	12	6~13.8	0.22	0.17	2.04	5000	0.77	27.1	5.67	0.22	36.0
PSAD06015BL	MF00/MR00	5	4.5~5.5	0.22	0.17	0.85	3700	0.56	19.8	3.20	0.13	28.5
PSAD06015BM	P000/PF00	5	4.5~5.5	0.36	0.29	1.45	4500	0.68	24.0	4.57	0.18	34.0
PSAD16010BL	PR00/M000	12	6~13.8	0.13	0.08	0.96	3700	0.56	19.8	3.20	0.13	28.5
PSAD16010BM	P000/PF00	12	6~13.8	0.17	0.13	1.56	4500	0.68	24.0	4.57	0.18	34.0
PSAD16010BH	PR00/M000	12	6~13.8	0.22	0.17	2.04	5100	0.78	27.5	5.78	0.23	37.5

\* Specifications are subject to change without notice