



AAVID
THERMALLOY

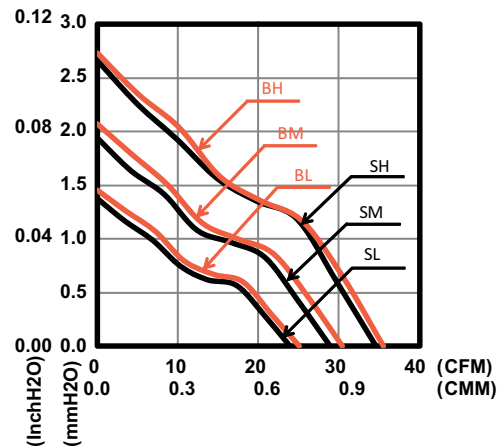
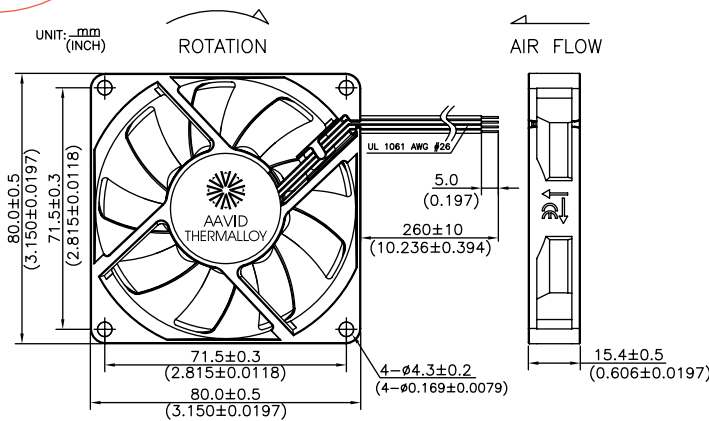
Advance Series (PA) 80mm x 80mm x 15mm



- » Bearing Type: FLB, Sleeve, Ball Bearing
- » Function Type (Optional): FG Signal
- » Protection (Optional):
Auto Restart Protection
- » Lead Wire:
UL 1061 AWG #26 or Equivalent
Red Wire: Positive (+)
Black Wire: Negative (-)
Yellow Wire: FG Signal

PERFORMANCE CURVES

DIMENSIONS DRAWING



SPECIFICATION



Model	Function Type	Rated Voltage	Operating Voltage	Rated Current	Input Current	Input Power	Rated Speed	Air Flow		Air Pressure		Noise
		VDC	VDC	Amp	Amp	Watt		RPM	CMM	CFM	mmH ₂ O	
PAAD08015SL	0000/F000 P000/PF00	5	4~5.75	0.18	0.14	0.70	2000	0.68	23.9	1.37	0.05	22.5
PAAD08015SM		5	4~5.75	0.27	0.19	0.95	2400	0.82	28.9	1.94	0.08	26.5
PAAD08015SH		5	4~5.75	0.42	0.33	1.65	2800	0.98	34.6	2.66	0.11	31.5
PAAD18015SL(-)	0000/F000 P000/PF00	12	6~13.8	0.15	0.06	0.72	2000	0.68	23.9	1.37	0.05	22.5
PAAD18015SM(-)		12	6~13.8	0.25	0.10	1.20	2400	0.82	28.9	1.94	0.08	26.5
PAAD18015SH(-)		12	6~13.8	0.35	0.16	1.92	2800	0.98	34.6	2.66	0.11	31.5
PAAD28015SM(-)	0000/F000 P000/PF00	24	12~27.6	0.15	0.06	1.44	2400	0.82	28.9	1.94	0.08	26.5
PAAD28015SH-		24	12~27.6	0.25	0.11	2.64	2800	0.98	34.6	2.66	0.11	31.5
PAAD08015BL	0000/F000 P000/PF00	5	4~5.75	0.18	0.14	0.70	2100	0.71	25.1	1.46	0.06	22.5
PAAD08015BM		5	4~5.75	0.27	0.19	0.95	2500	0.86	30.4	2.07	0.08	26.5
PAAD08015BH		5	4~5.75	0.42	0.33	1.65	2900	1.01	35.5	2.73	0.11	31.5
PAAD18015BL(-)	0000/F000 P000/PF00	12	6~13.8	0.15	0.07	0.84	2100	0.71	25.1	1.46	0.06	22.5
PAAD18015BM(-)		12	6~13.8	0.25	0.10	1.20	2500	0.86	30.4	2.07	0.08	26.5
PAAD18015BH(-)		12	6~13.8	0.35	0.14	1.68	2900	1.01	35.5	2.73	0.11	31.5
PAAD28015BM(-)	0000/F000 P000/PF00	24	12~27.6	0.15	0.06	1.44	2500	0.86	30.4	2.07	0.08	26.5
PAAD28015BH-		24	12~27.6	0.25	0.11	2.64	2900	1.01	35.5	2.73	0.11	31.5

* Specifications are subject to change without notice



AAVID
THERMALLOY

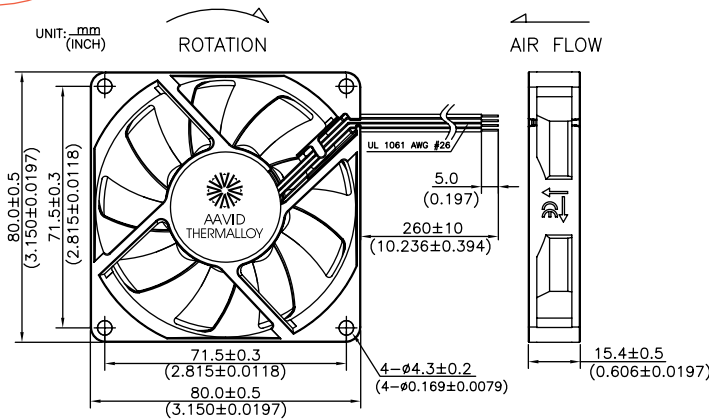
Superior Series (PS) 80mm x 80mm x 15mm



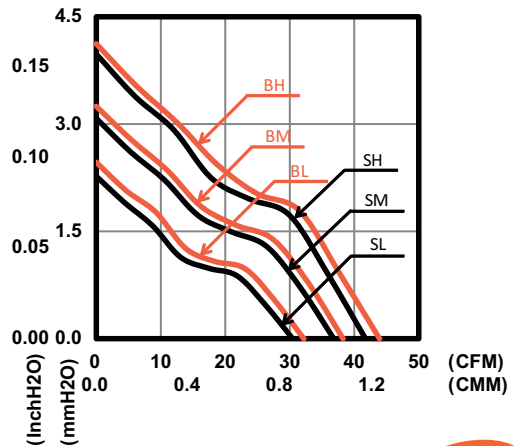
- » Bearing Type: FLB, Ball Bearing
- » Function Type (Optional): FG Signal, RD Signal, PWM
- » Protection:
 - Auto Restart Protection
 - Polarity Reverse Protection
- » Lead Wire:
 - UL 1061 AWG #26 or Equivalent
 - Red Wire: Positive (+)
 - Black Wire: Negative (-)
 - Yellow Wire: FG Signal
 - White Wire: RD Signal
 - Blue Wire: PWM

PS SERIES 8015

DIMENSIONS DRAWING



PERFORMANCE CURVES



SPECIFICATION



Model	Function Type	Rated Voltage	Operating Voltage	Rated Current	Input Current	Input Power	Rated Speed	Air Flow		Air Pressure		Noise									
		VDC	VDC	Amp	Amp	Watt		RPM	CMM	CFM	mmH ₂ O		InH ₂ O	dBA							
PSAD08015SL	P000/PF00	5	4.5~5.5	0.22	0.17	0.85	2500	0.87	30.5	2.27	0.09	28.0									
PSAD08015SM	PR00/M000 MF00/MR00												0.35	0.28	1.40	3000	1.04	36.8	3.08	0.12	32.5
PSAD18015SL	P000/PF00	12	6~13.8	0.12	0.09	1.08	2500	0.87	30.5	2.27	0.09	28.0									
PSAD18015SM	PR00/M000												0.20	0.16	1.92	3000	1.04	36.8	3.08	0.12	32.5
PSAD18015SH	MF00/MR00												0.24	0.19	2.28	3400	1.18	41.8	3.98	0.16	36.5
PSAD08015BL	P000/PF00	5	4.5~5.5	0.22	0.16	0.80	2600	0.91	32.3	2.46	0.10	28.5									
PSAD08015BM	PR00/M000 MF00/MR00												0.35	0.26	1.30	3100	1.09	38.3	3.25	0.13	35.0
PSAD18015BL	P000/PF00	12	6~13.8	0.12	0.09	1.08	2600	0.91	32.3	2.46	0.10	28.5									
PSAD18015BM	PR00/M000												0.20	0.16	1.92	3100	1.09	38.3	3.25	0.13	35.0
PSAD18015BH	MF00/MR00												0.24	0.16	2.16	3500	1.25	44.0	4.13	0.16	38.0

* Specifications are subject to change without notice