



AAVID
THERMALLOY

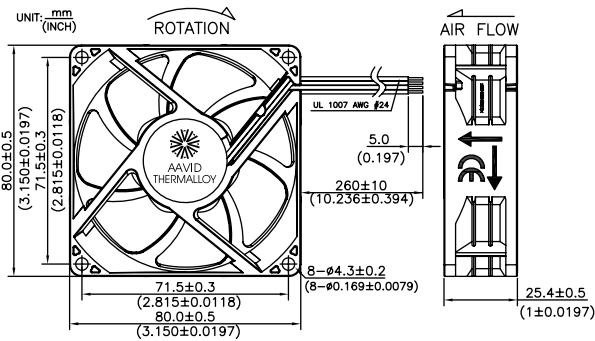
Advance Series (PA) 80mm x 80mm x 25mm



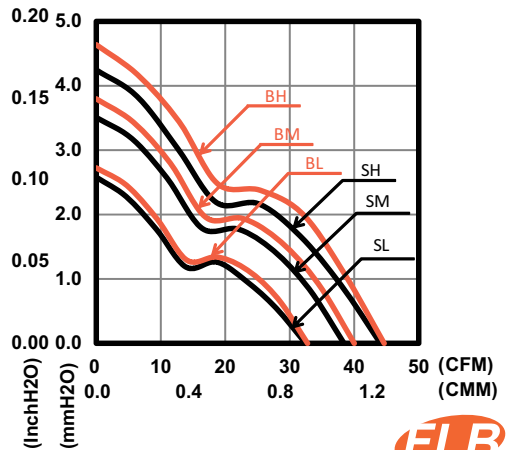
- » Bearing Type: FLB, Sleeve, Ball Bearing
- » Function Type (Optional): FG Signal
- » Protection (Optional):
Auto Restart Protection
- » Lead Wire:
UL 1007 AWG #24 or Equivalent
Red Wire: Positive (+)
Black Wire: Negative (-)
Yellow Wire: FG Signal

PA SERIES 8025

DIMENSIONS DRAWING



PERFORMANCE CURVES



SPECIFICATION

Model	Function Type	Rated Voltage	Operating Voltage	Rated Current	Input Current	Input Power	Rated Speed	Air Flow		Air Pressure		Noise
		VDC	VDC	Amp	Amp	Watt	RPM	CMM	CFM	mmH ₂ O	InH ₂ O	
PAAD18025SL	0000/F000	12	6~13.8	0.14	0.09	0.96	2400	0.92	32.7	2.58	0.10	25.5
PAAD18025SM		12	6~13.8	0.19	0.12	1.44	2900	1.09	38.4	3.51	0.14	31.0
PAAD18025SH		12	6~13.8	0.24	0.18	2.16	3300	1.25	44.2	4.24	0.17	34.0
PAAD18025SL-	P000/PF00	12	6~13.8	0.14	0.08	0.96	2400	0.92	32.7	2.58	0.10	25.5
PAAD18025SM-		12	6~13.8	0.19	0.12	1.44	2900	1.09	38.4	3.51	0.14	31.0
PAAD18025SH-		12	6~13.8	0.30	0.18	2.16	3300	1.25	44.2	4.24	0.17	34.0
PAAD28025SL	0000/F000	24	12~27.6	0.08	0.05	1.20	2400	0.92	32.7	2.58	0.10	25.5
PAAD28025SM		24	12~27.6	0.10	0.07	1.68	2900	1.09	38.4	3.51	0.14	31.0
PAAD28025SH		24	12~27.6	0.12	0.09	2.16	3300	1.25	44.2	4.24	0.17	34.0
PAAD28025SL-	P000/PF00	24	12~27.6	0.07	0.05	1.20	2400	0.92	32.7	2.58	0.10	25.5
PAAD28025SM-		24	12~27.6	0.12	0.07	1.68	2900	1.09	38.4	3.51	0.14	31.0
PAAD28025SH-		24	12~27.6	0.14	0.09	2.16	3300	1.25	44.2	4.24	0.17	34.0
PAAD18025BL	0000/F000	12	6~13.8	0.14	0.08	0.96	2500	0.93	32.9	2.72	0.11	26.5
PAAD18025BM		12	6~13.8	0.19	0.11	1.32	3000	1.13	40.0	3.80	0.15	32.5
PAAD18025BH		12	6~13.8	0.24	0.17	2.04	3400	1.26	44.6	4.64	0.18	35.0
PAAD18025BL-	P000/PF00	12	6~13.8	0.14	0.08	0.96	2500	0.93	32.9	2.72	0.11	26.5
PAAD18025BM-		12	6~13.8	0.19	0.11	1.32	3000	1.13	40.0	3.80	0.15	32.5
PAAD18025BH-		12	6~13.8	0.30	0.17	2.04	3400	1.26	44.6	4.64	0.18	35.0
PAAD28025BL	0000/F000	24	12~27.6	0.08	0.05	1.20	2500	0.93	32.9	2.72	0.11	26.5
PAAD28025BM		24	12~27.6	0.10	0.07	1.68	3000	1.13	40.0	3.80	0.15	32.5
PAAD28025BH		24	12~27.6	0.12	0.08	1.92	3400	1.26	44.6	4.64	0.18	35.0
PAAD28025BL-	P000/PF00	24	12~27.6	0.07	0.05	1.20	2500	0.93	32.9	2.72	0.11	26.5
PAAD28025BM-		24	12~27.6	0.12	0.07	1.68	3000	1.13	40.0	3.80	0.15	32.5
PAAD28025BH-		24	12~27.6	0.14	0.08	1.92	3400	1.26	44.6	4.64	0.18	35.0

* Specifications are subject to change without notice



AAVID
THERMALLOY

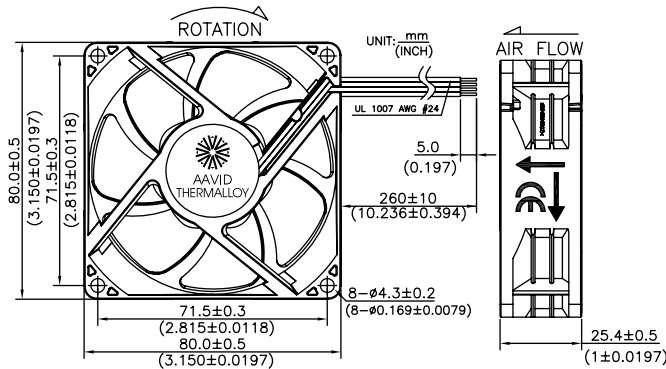
Superior Series (PS) 80mm x 80mm x 25mm



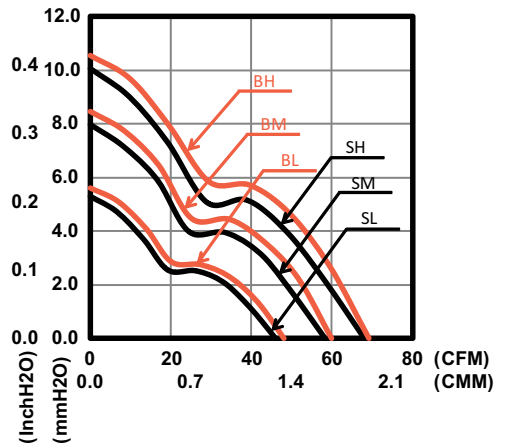
- » Bearing Type: FLB, Ball Bearing
- » Function Type (Optional): FG Signal, RD Signal, PWM
- » Protection:
 - Auto Restart Protection
 - Polarity Reverse Protection
- » Lead Wire:
 - UL 1007 AWG #24 or Equivalent
 - Red Wire: Positive (+)
 - Black Wire: Negative (-)
 - Yellow Wire: FG Signal
 - White Wire: RD Signal
 - Blue Wire: PWM

PS SERIES 8025

DIMENSIONS DRAWING



PERFORMANCE CURVES



SPECIFICATION



Model	Function Type	Rated Voltage	Operating Voltage	Rated Current	Input Current	Input Power	Rated Speed	Air Flow		Air Pressure		Noise
		VDC	VDC	Amp	Amp	Watt	RPM	CMM	CFM	mmH ₂ O	InH ₂ O	
PSAD18025SL	P000/PF00	12	6~13.8	0.19	0.16	1.92	3400	1.30	45.9	5.29	0.21	35.0
PSAD18025SM	PR00/M000	12	6~13.8	0.29	0.23	2.76	4300	1.65	58.2	7.98	0.31	41.0
PSAD18025SH	MF00/MR00	12	6~13.8	0.43	0.34	4.08	4900	1.92	68.0	10.06	0.40	44.5
PSAD18025BL	P000/PF00	12	6~13.8	0.19	0.15	1.80	3600	1.36	48.1	5.61	0.21	37.0
PSAD18025BM	PR00/M000	12	6~13.8	0.29	0.22	2.76	4500	1.70	60.0	8.47	0.31	43.0
PSAD18025BH	MF00/MR00	12	6~13.8	0.43	0.33	3.96	5100	1.96	69.2	10.56	0.40	45.5

* Specifications are subject to change without notice



AAVID
THERMALLOY

Excellence Series (PE) 80mm x 80mm x 25mm

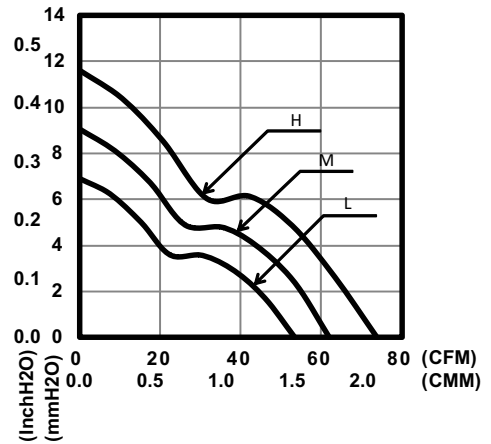
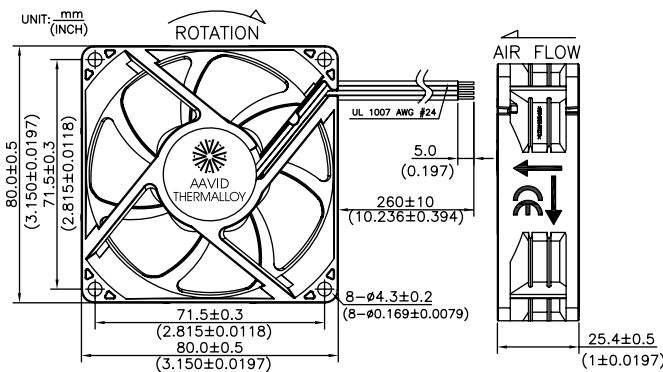


- » Bearing Type: Ball Bearing
- » Function Type (Optional): FG Signal, RD Signal, PWM
- » Protection:
 - Auto Restart Protection
 - Polarity Reverse Protection
- » Lead Wire:
 - UL 1007 AWG #24 or Equivalent
 - Red Wire: Positive (+)
 - Black Wire: Negative (-)
 - Yellow Wire: FG Signal
 - White Wire: RD Signal
 - Blue Wire: PWM

PE SERIES 8025

PERFORMANCE CURVES

DIMENSIONS DRAWING



SPECIFICATION



Model	Function Type	Rated Voltage	Operating Voltage	Rated Current	Input Current	Input Power	Rated Speed	Air Flow		Air Pressure		Noise
		VDC	VDC	Amp	Amp	Watt	RPM	CMM	CFM	mmH2O	InH2O	dBA
PEAD18025BL	P000/PF00	12	6~13.8	0.28	0.22	2.64	4000	1.51	53.4	6.92	0.27	40.0
PEAD18025BM	PR00/M000	12	6~13.8	0.35	0.28	3.36	4600	1.76	62.1	9.04	0.36	43.5
PEAD18025BH	MF00/MR00	12	6~13.8	0.48	0.38	4.56	5400	2.08	73.5	12.00	0.47	48.0
PEAD28025BL	P000/PF00	24	16~27.6	0.14	0.11	2.64	4000	1.51	53.4	6.92	0.27	40.0
PEAD28025BM	PR00/M000	24	16~27.6	0.19	0.15	3.60	4600	1.76	62.1	9.04	0.36	43.5
PEAD28025BH	MF00/MR00	24	16~27.6	0.25	0.20	4.80	5400	2.08	73.5	12.00	0.47	48.0
PEAD48025BL	P000/PF00	48	30~55.2	0.09	0.08	3.84	4000	1.51	53.4	6.92	0.27	40.0
PEAD48025BM	PR00/M000	48	30~55.2	0.12	0.10	4.80	4600	1.76	62.1	9.04	0.36	43.5
PEAD48025BH	MF00/MR00	48	30~55.2	0.17	0.12	5.76	5400	2.08	73.5	12.00	0.47	48.0

* Specifications are subject to change without notice