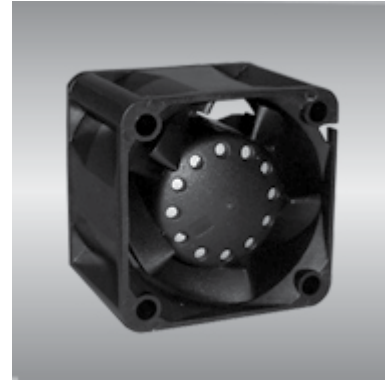


# 38 AG series

x38x28mm



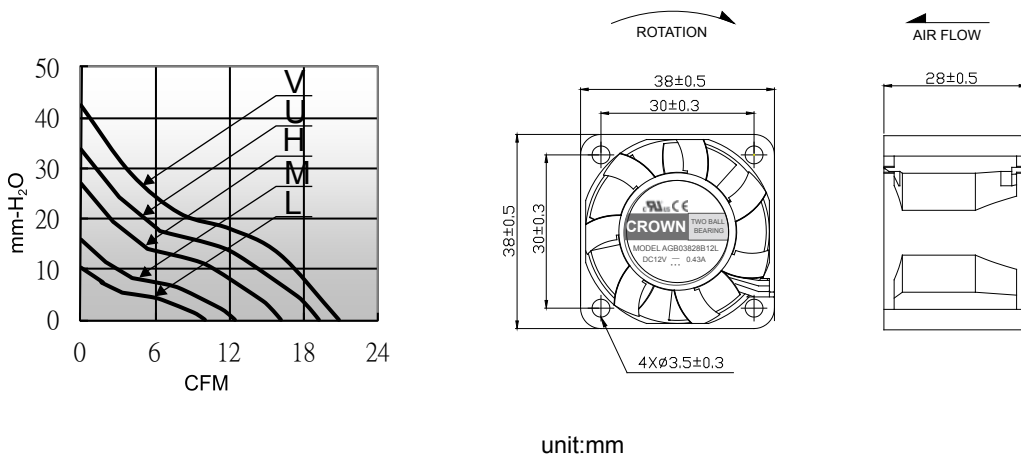
## General Specifications

- Motor : 4 Poles brushless DC motor
- Frame & Impeller : Plastic(UL 94V-0)
- Storage temperature : -40° to +75°
- Operating temperature : -10° to +70°

## Major Characteristic Parameters

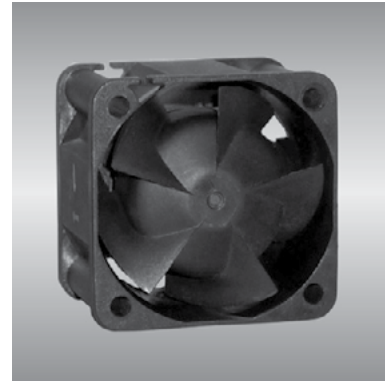
Model	*Bearing System	Rated Voltage	Operating Voltage Range	Rated Current	Rated Speed	Maximum Air Flow		Maximum Static Pressure		Sound Level	Weight
Part NO.	B / S / F	V	V	A	RPM	m <sup>3</sup> /min	CFM	mm-H <sub>2</sub> O	In-H <sub>2</sub> O	dBA	g
AGB03828_12L	B	12	7.0~13.2	0.21	8000	0.26	9.44	10.02	0.39	38.0	40
AGB03828_12M	B	12	7.0~13.2	0.30	10000	0.35	12.46	12.46	0.63	44.0	40
AGB03828_12H	B	12	7.0~13.2	0.50	13000	0.46	16.30	25.91	1.02	51.0	40
AGB03828_12U	B	12	7.0~13.2	0.82	15000	0.54	19.16	34.71	1.37	55.0	40
AGB03828_12V	B	12	7.0~13.2	1.00	17000	0.59	20.80	42.40	1.67	59.0	40

\*Bearing system B: Two Ball Bearing F: Fluid Bearing S: Sleeve Bearing



# 38 AG series

x38x28mm



## General Specifications

- Motor : 4 Poles brushless DC motor
- Frame & Impeller : Plastic(UL 94V-0)
- Storage temperature : -40° to +75°
- Operating temperature : -10° to +70°

## Major Characteristic Parameters

Model	*Bearing System	Rated Voltage	Operating Voltage Range	Rated Current	Rated Speed	Maximum Air Flow		Maximum Static Pressure		Sound Level	Weight
Part NO.	B / S / F	V	V	A	RPM	m <sup>3</sup> /min	CFM	mm-H <sub>2</sub> O	In-H <sub>2</sub> O	dBA	g
AGF03828_12L	B	12	7.0~13.2	0.15	8000	0.242	8.6	10.6	0.42	37	40
AGF03828_24L	B	24	14.0~26.4	0.08	8000	0.242	8.6	10.6	0.42	37	40
AGF03828_12M	B	12	7.0~13.2	0.25	10000	0.302	10.7	16.4	0.64	42	40
AGF03828_24M	B	24	14.0~26.4	0.13	10000	0.302	10.7	16.4	0.64	42	40
AGF03828_12H	B	12	7.0~13.2	0.29	11000	0.333	11.8	20.0	0.79	45	40
AGF03828_24H	B	24	14.0~26.4	0.25	11000	0.333	11.8	20.0	0.79	45	40

\*Bearing system B: Two Ball Bearing F: Fluid Bearing S: Sleeve Bearing

