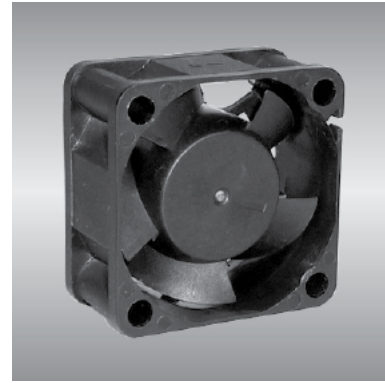


# 40 AG series

x40x20mm



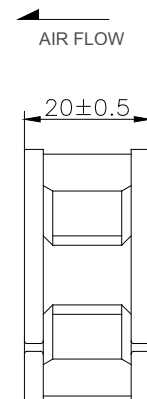
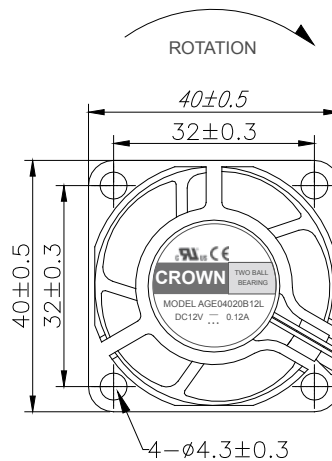
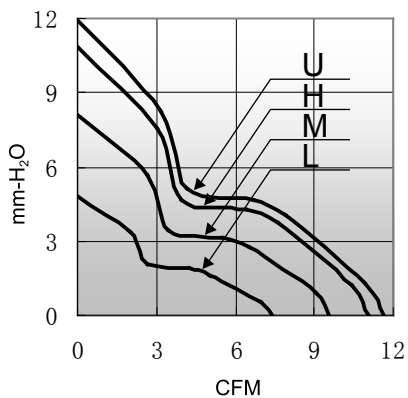
## General Specifications

- Motor : 4 Poles brushless DC motor
- Frame & Impeller : Plastic(UL 94V-0)
- Storage temperature : -40° to +75°
- Operating temperature : -10° to +70°

## Major Characteristic Parameters

Model	*Bearing System	Rated Voltage	Operating Voltage Range	Rated Current	Rated Speed	Maximum Air Flow		Maximum Static Pressure		Sound Level	Weight
Part NO.	B / S / F	V	V	A	RPM	m <sup>3</sup> /min	CFM	mm-H <sub>2</sub> O	In-H <sub>2</sub> O	dBA	g
AGE04020_12L	B / S	12	7.0~13.2	0.10	5000	0.21	7.4	4.8	0.19	21.0	27
AGE04020_24L	B / S	24	14.0~26.4	0.07	5000	0.21	7.4	4.8	0.19	21.0	27
AGE04020_12M	B / S	12	7.0~13.2	0.12	6500	0.22	9.6	8.1	0.32	24.5	27
AGE04020_24M	B / S	24	14.0~26.4	0.09	6500	0.22	9.6	8.1	0.32	24.5	27
AGE04020_12H	B / S	12	7.0~13.2	0.16	8600	0.31	11.1	10.8	0.43	32.5	27
AGE04020_24H	B / S	24	14.0~26.4	0.13	8600	0.31	11.1	10.8	0.43	32.5	27
AGE04020_12U	B / S	12	7.0~13.2	0.22	9500	0.31	11.6	11.9	0.47	33.5	27

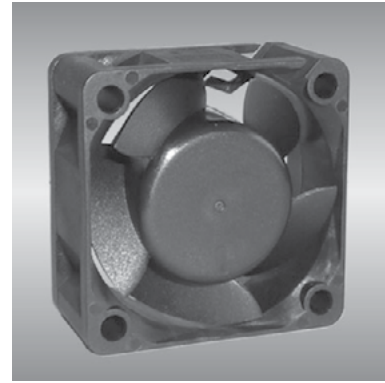
\*Bearing system B: Two Ball Bearing F: Fluid Bearing S: Sleeve Bearing



unit:mm

# 40 AG series

x40x20mm



## General Specifications

- Motor : 4 Poles brushless DC motor
- Frame & Impeller : Plastic(UL 94V-0)
- Storage temperature : -40° to +75°
- Operating temperature : -10° to +70°

## Major Characteristic Parameters

Model	*Bearing System	Rated Voltage	Operating Voltage Range	Rated Current	Rated Speed	Maximum Air Flow		Maximum Static Pressure		Sound Level	Weight
Part NO.	B / S / F	V	V	A	RPM	m <sup>3</sup> /min	CFM	mm-H <sub>2</sub> O	In-H <sub>2</sub> O	dBA	g
AGC04020_12H	B	12	7.0~13.2	0.20	9000	0.31	11.0	9.9	0.39	36.7	35
AGC04020_24L	B	24	14.0~26.4	0.10	9000	0.31	11.0	9.9	0.39	36.7	35
AGC04020_12U	B	12	7.0~13.2	0.25	11000	0.31	11.0	9.9	0.39	36.7	35
AGC04020_24M	B	24	14.0~26.4	0.15	11000	0.31	11.0	9.9	0.39	36.7	35
AGC04020_12W	B	12	7.0~13.2	0.32	13000	0.45	15.9	20.3	0.80	46.2	35
AGC04020_24H	B	24	14.0~26.4	0.20	13000	0.45	15.9	20.3	0.80	46.2	35

\*Bearing system B: Two Ball Bearing S: Sleeve Bearing

