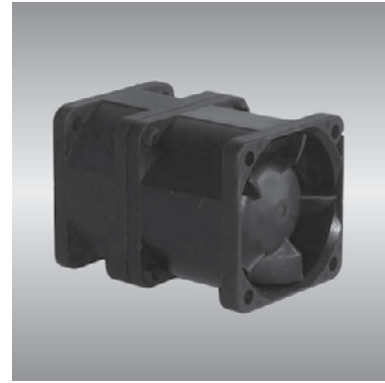


40 AG series

x40x56mm



General Specifications

- Motor : 4 Poles brushless DC motor
- Frame & Impeller : Plastic(UL 94V-0)
- Storage temperature : -40° to +75°
- Operating temperature : -10° to +70°

Major Characteristic Parameters

Model	*Bearing System	Rated Voltage	Operating Voltage Range	Rated Current	Rated Speed	Maximum Air Flow		Maximum Static Pressure		Sound Level	Weight
Part NO.	B / S / F	V	V	A	RPM	m ³ /min	CFM	mm-H ₂ O	In-H ₂ O	dBA	g
AGB04056B12M	B	12	7.0~13.2	0.85	11000	0.74	26.0	38.01	1.50	58.0	96
AGB04056B12H	B	12	7.0~13.2	1.25	13900	0.85	28.8	51.51	2.03	61.5	96
AGB04056B12U	B	12	7.0~13.2	1.50	15600	0.91	32.4	66.94	2.64	64.5	96

*Bearing system B: Two Ball Bearing F: Fluid Bearing S: Sleeve Bearing

