

60 AG series

x60x10mm



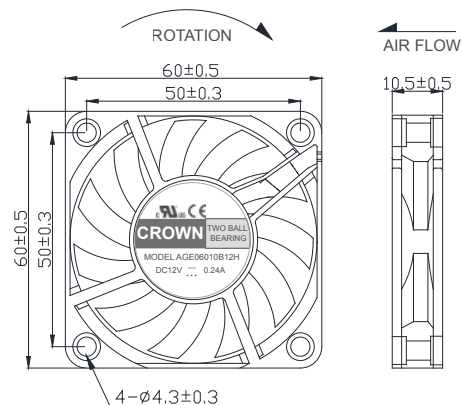
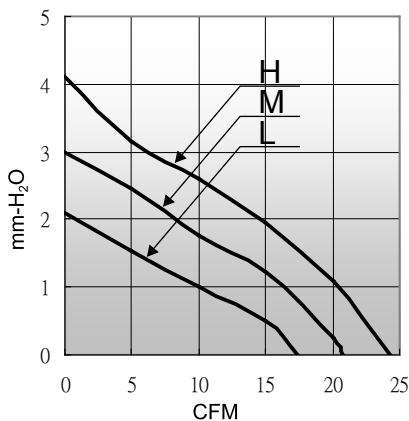
General Specifications

- Motor : 4 Poles brushless DC motor
- Frame & Impeller : Plastic(UL 94V-0)
- Storage temperature : -40° to +75°
- Operating temperature : -10° to +70°

Major Characteristic Parameters

Model	*Bearing System	Rated Voltage	Operating Voltage Range	Rated Current	Rated Speed	Maximum Air Flow		Maximum Static Pressure		Sound Level	Weight
Part NO.	B / S / F	V	V	A	RPM	m ³ /min	CFM	mm-H ₂ O	In-H ₂ O	dBA	g
AGE06010_05L	B / S	5	4.5~5.5	0.30	3500	0.49	17.4	2.1	0.08	28.0	26
AGE06010_12L	B / S	12	7.0~13.2	0.14	3500	0.49	17.4	2.1	0.08	28.0	26
AGE06010_24L	B / S	24	14.0~26.4	0.05	3500	0.49	17.4	2.1	0.08	28.0	26
AGE06010_05M	B / S	5	4.5~5.5	0.38	4200	0.59	20.8	3.0	0.12	33.0	26
AGE06010_12M	B / S	12	7.0~13.2	0.17	4200	0.59	20.8	3.0	0.12	33.0	26
AGE06010_24M	B / S	24	14.0~26.4	0.08	4200	0.59	20.8	3.0	0.12	33.0	26
AGE06010_12H	B / S	12	7.0~13.2	0.24	4900	0.69	24.3	4.1	0.16	37.0	26
AGE06010_24H	B / S	24	14.0~26.4	0.10	4900	0.69	24.3	4.1	0.16	37.0	26

*Bearing system B: Two Ball Bearing F: Fluid Bearing S: Sleeve Bearing



unit:mm