

# 92 AG series

x92x25mm



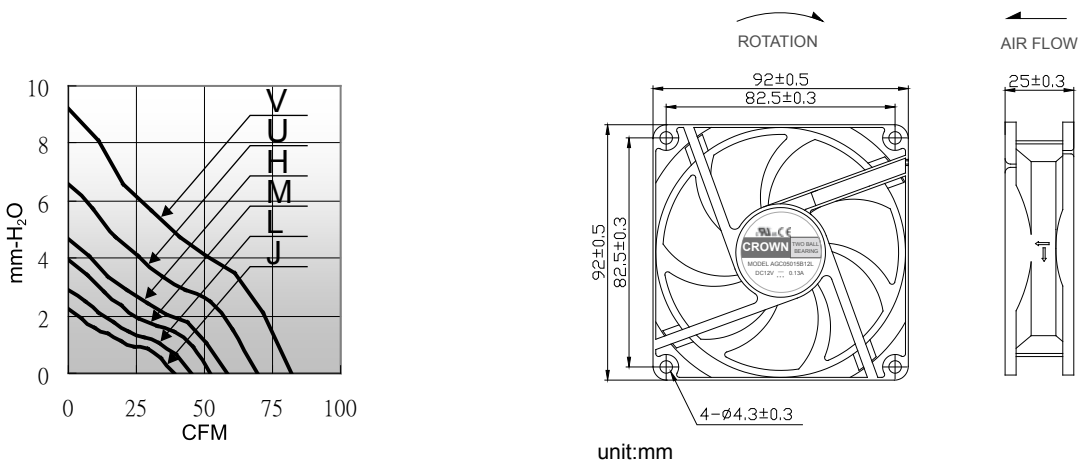
## General Specifications

- Motor : 4 Poles brushless DC motor
- Frame & Impeller : Plastic(UL 94V-0)
- Storage temperature : -40° to +75°
- Operating temperature : -10° to +70°

## Major Characteristic Parameters

Model	*Bearing System	Rated Voltage	Operating Voltage Range	Rated Current	Rated Speed	Maximum Air Flow		Maximum Static Pressure		Sound Level	Weight
Part NO.	B / S / F	V	V	A	RPM	m <sup>3</sup> /min	CFM	mm-H <sub>2</sub> O	In-H <sub>2</sub> O	dBA	g
AGE09225_12J	B E S	12	7.0~13.2	0.09	2100	1.11	39.2	2.2	0.09	25.0	79
AGE09225_24J	B E S	24	14.0~26.4	0.06	2100	1.11	39.2	2.2	0.09	25.0	79
AGE09225_48J	B E S	48	28.0~56.0	0.05	2100	1.11	39.2	2.2	0.09	25.0	79
AGE09225_12L	B E S	12	7.0~13.2	0.11	2450	1.27	44.8	2.9	0.11	30.0	79
AGE09225_24L	B E S	24	14.0~26.4	0.08	2450	1.27	44.8	2.9	0.11	30.0	79
AGE09225_48L	B E S	48	28.0~56.0	0.06	2450	1.27	44.8	2.9	0.11	30.0	79
AGE09225_12M	B E S	12	7.0~13.2	0.14	2850	1.48	52.1	3.9	0.16	34.0	79
AGE09225_24M	B E S	24	14.0~26.4	0.13	2850	1.48	52.1	3.9	0.16	34.0	79
AGE09225_48M	B E S	48	28.0~56.0	0.08	2850	1.48	52.1	3.9	0.16	34.0	79
AGE09225_12H	B E S	12	7.0~13.2	0.20	3200	1.65	58.3	4.7	0.18	38.0	79
AGE09225_24H	B E S	24	14.0~26.4	0.15	3200	1.65	58.3	4.7	0.18	38.0	79
AGE09225_48H	B E S	48	28.0~56.0	0.12	3200	1.65	58.3	4.7	0.18	38.0	79
AGE09225_12U	B E S	12	7.0~13.2	0.35	3800	1.96	69.2	6.6	0.26	45.0	79
AGE09225_24U	B E S	24	14.0~26.4	0.20	3800	1.96	69.2	6.6	0.26	45.0	79
AGE09225_12V	B E S	12	7.0~13.2	0.41	4200	2.29	81.0	9.2	0.40	49.0	79

\*Bearing system B: Two Ball Bearing F: Fluid Bearing S: Sleeve Bearing



# 92 AG series

x92x25mm



## General Specifications

- Motor : 4 Poles brushless DC motor
- Frame & Impeller : Plastic(UL 94V-0)
- Storage temperature : -40° to +75°
- Operating temperature : -10° to +70°

## Major Characteristic Parameters

Model	*Bearing System	Rated Voltage	Operating Voltage Range	Rated Current	Rated Speed	Maximum Air Flow		Maximum Static Pressure		Sound Level	Weight
Part NO.	B / S / F	V	V	A	RPM	m <sup>3</sup> /min	CFM	mm-H <sub>2</sub> O	In-H <sub>2</sub> O	dBA	g
AGC09225_12J	B E	12	7.0~13.2	0.09	2100	1.11	39.2	2.2	0.09	25.0	79
AGC09225_24J	B E	24	14.0~26.4	0.06	2100	1.11	39.2	2.2	0.09	25.0	79
AGC09225_48J	B E	48	28.0~56.0	0.05	2100	1.11	39.2	2.2	0.09	25.0	79
AGC09225_12L	B E	12	7.0~13.2	0.11	2450	1.27	44.8	2.9	0.11	30.0	79
AGC09225_24L	B E	24	14.0~26.4	0.08	2450	1.27	44.8	2.9	0.11	30.0	79
AGC09225_48L	B E	48	28.0~56.0	0.06	2450	1.27	44.8	2.9	0.11	30.0	79
AGC09225_12M	B E	12	7.0~13.2	0.14	2850	1.48	52.1	3.9	0.16	34.0	79
AGC09225_24M	B E	24	14.0~26.4	0.13	2850	1.48	52.1	3.9	0.16	34.0	79
AGC09225_48M	B E	48	28.0~56.0	0.08	2850	1.48	52.1	3.9	0.16	34.0	79
AGC09225_12H	B E	12	7.0~13.2	0.20	3200	1.65	58.3	4.7	0.18	38.0	79
AGC09225_24H	B E	24	14.0~26.4	0.15	3200	1.65	58.3	4.7	0.18	38.0	79
AGC09225_48H	B E	48	28.0~56.0	0.12	3200	1.65	58.3	4.7	0.18	38.0	79
AGC09225_12U	B E	12	7.0~13.2	0.35	3800	1.96	69.2	6.6	0.26	45.0	79
AGC09225_24U	B E	24	14.0~26.4	0.20	3800	1.96	69.2	6.6	0.26	45.0	79
AGC09225_12V	B E	12	7.0~13.2	0.41	4200	2.29	81.0	9.2	0.40	49.0	79

\*Bearing system B: Two Ball Bearing F: Fluid Bearing S: Sleeve Bearing

