

# 120 AG series

x120x25mm



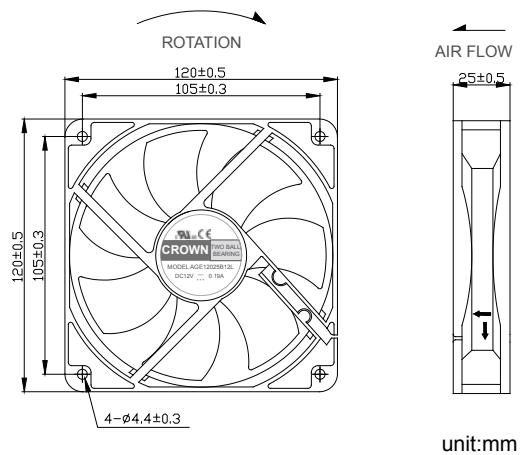
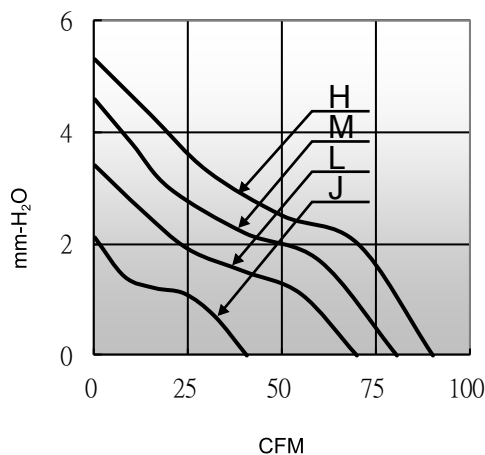
## General Specifications

- Motor : 4 Poles brushless DC motor
- Frame & Impeller : Plastic(UL 94V-0)
- Storage temperature : -40° to +75°
- Operating temperature : -10° to +70°

## Major Characteristic Parameters

Model	*Bearing System	Rated Voltage	Operating Voltage Range	Rated Current	Rated Speed	Maximum Air Flow		Maximum Static Pressure		Sound Level	Weight
Part NO.	B / S / F	V	V	A	RPM	m <sup>3</sup> /min	CFM	mm-H <sub>2</sub> O	In-H <sub>2</sub> O	dBA	g
AGE12025_12J	B E S	12	6.0~13.2	0.08	1200	1.15	40.6	2.1	0.08	19.0	152
AGE12025_24J	B E S	24	14.0~26.4	0.05	1200	1.15	40.6	2.1	0.08	19.0	152
AGE12025_12L	B E S	12	6.0~13.2	0.19	1900	1.97	69.6	3.4	0.14	29.0	152
AGE12025_24L	B E S	24	14.0~26.4	0.15	1900	1.97	69.6	3.4	0.14	29.0	152
AGE12025_12M	B E S	12	6.0~13.2	0.21	2200	2.28	80.6	4.6	0.18	31.0	152
AGE12025_24M	B E S	24	14.0~26.4	0.12	2200	2.28	80.6	4.6	0.18	31.0	152
AGE12025_12H	B E S	12	6.0~13.2	0.25	2500	2.60	90.0	5.3	0.22	36.0	152
AGE12025_24H	B E S	24	14.0~26.4	0.13	2500	2.60	90.0	5.3	0.22	36.0	152

\*Bearing system B: Two Ball Bearing F: Fluid Bearing S: Sleeve Bearing



# 120 AG series

x120x25mm



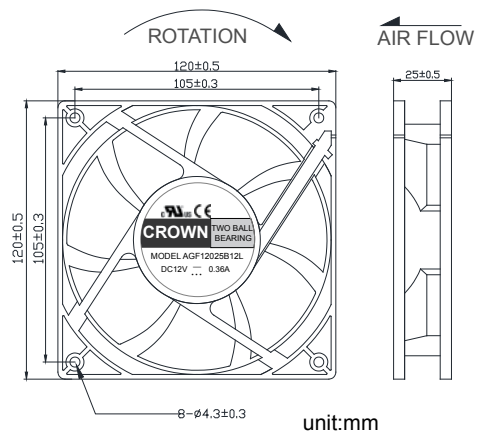
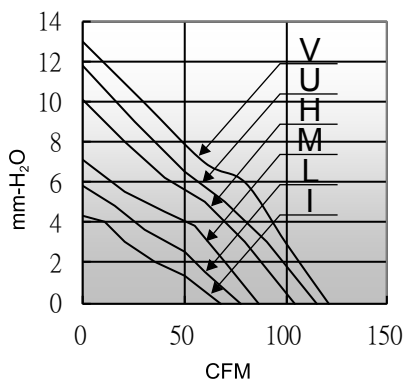
## General Specifications

- Motor : 4 Poles brushless DC motor
- Frame & Impeller : Plastic(UL 94V-0)
- Storage temperature : -40° to +75°
- Operating temperature : -10° to +70°

## Major Characteristic Parameters

Model	*Bearing System	Rated Voltage	Operating Voltage Range	Rated Current	Rated Speed	Maximum Air Flow	Maximum Static Pressure	Sound Level	Weight		
Part NO.	B / S / F	V	V	A	RPM	m <sup>3</sup> /min	CFM	mm-H <sub>2</sub> O	In-H <sub>2</sub> O	dBA	g
AGC12025B2I	B	12	7.0~13.2	0.20	2100	1.92	67.7	4.3	0.17	34.8	185
AGC12025B24I	B	24	14.0~26.4	0.12	2100	1.92	67.7	4.3	0.17	374.8	185
AGC12025B12L	B	12	7.0~13.2	0.30	2500	2.19	77.2	5.8	0.28	38.5	185
AGC12025B24L	B	24	14.0~26.4	0.17	2500	2.19	77.2	5.8	0.28	38.5	185
AGC12025B12M	B	12	7.0~13.2	0.48	2800	2.46	86.7	7.1	0.28	41.7	185
AGC12025B24M	B	24	14.0~26.4	0.28	2800	2.46	86.7	7.1	0.28	41.7	185
AGC12025B12H	B	12	7.0~13.2	0.75	3400	2.95	103.9	10.1	0.40	46.9	185
AGC12025B24H	B	24	14.0~26.4	0.40	3400	2.95	103.9	10.1	0.40	46.9	185
AGC12025B12U	B	12	7.0~13.2	1.05	3700	3.25	114.8	11.8	0.46	49.8	185
AGC12025B24U	B	24	14.0~26.4	0.55	3700	3.25	114.8	11.8	0.46	49.8	185
AGC12025B24V	B	24	14.0~26.4	0.70	4000	3.43	121.1	13.0	0.51	51.6	185

\*Bearing system B: Two Ball Bearing F: Fluid Bearing S: Sleeve Bearing



# 120 AG series

x120x25mm



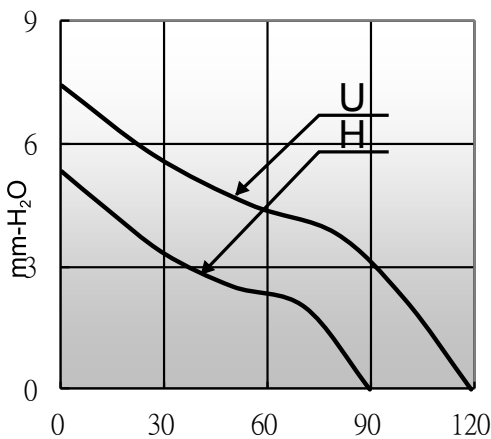
## General Specifications

- Motor : 4 Poles brushless DC motor
- Frame & Impeller : Plastic(UL 94V-0)
- Storage temperature : -40° to +75°
- Operating temperature : -10° to +70°

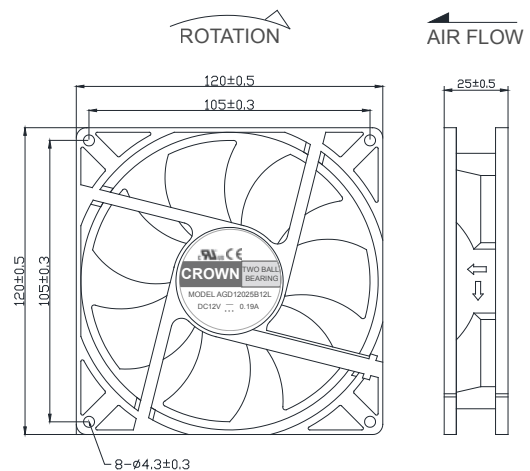
## Major Characteristic Parameters

Model	*Bearing System	Rated Voltage	Operating Voltage Range	Rated Current	Rated Speed	Maximum Air Flow		Maximum Static Pressure		Sound Level	Weight
Part NO.	B / S / F	V	V	A	RPM	m <sup>3</sup> /min	CFM	mm-H <sub>2</sub> O	In-H <sub>2</sub> O	dBA	g
AGD12025_12H	B S	12	7.0~13.2	0.25	2500	2.60	90.0	5.3	0.22	36.0	152
AGD12025_24H	B S	24	14.0~26.4	0.13	2500	2.60	90.0	5.3	0.22	36.0	152
AGD12025_12U	B S	12	7.0~13.2	0.45	3100	3.38	119.4	7.4	0.29	40.0	152
AGD12025_12U	B S	24	14.0~26.4	0.32	3100	3.38	119.4	7.4	0.29	40.0	152

\*Bearing system B: Two Ball Bearing F: Fluid Bearing S: Sleeve Bearing



CFM



unit:mm