

G 50 BG series

x50x15mm



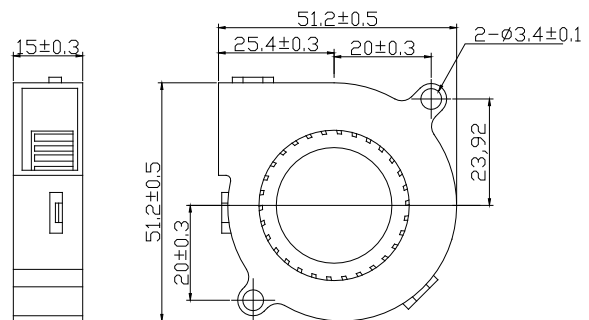
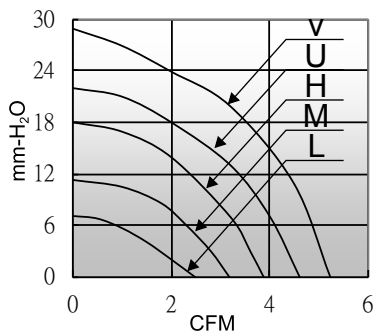
General Specifications

- Motor : 4 Poles brushless DC motor
- Frame & Impeller : Plastic(UL 94V-0)
- Storage temperature : -40° to +75°
- Operating temperature : -10° to +70°

Major Characteristic Parameters

Model	Bearing System	Rated Voltage	Operating Voltage Range	Rated Current	Rated Speed	Maximum Air Flow		Maximum Static Pressure		Sound Level	Weight
Part NO.	B / S / F	V	V	A	RPM	m ³ /min	CFM	mm-H ₂ O	In-H ₂ O	dBA	g
BGE05015_05L	B/S	5	4.5~5.5	0.09	3500	0.07	2.48	7.0	0.28	27.0	26
BGE05115_12L	B/S	12	7.0~13.2	0.06	3500	0.07	2.48	7.0	0.28	27.0	26
BGE05015_05M	B/S	5	7.0~13.2	0.12	4500	0.09	3.18	11.2	0.44	32.5	26
BGE05115_12M	B/S	12	7.0~13.2	0.07	4500	0.09	3.18	11.2	0.44	32.5	26
BGE05015_24M	B/S	24	14.0~26.4	0.05	4500	0.09	3.18	11.2	0.44	32.5	26
BGE05015_05H	B/S	5	7.0~13.2	0.18	5500	0.10	3.56	14.1	0.56	37.2	26
BGE05115_12H	B/S	12	7.0~13.2	0.09	5500	0.10	3.56	14.1	0.56	37.2	26
BGE05015_24H	B/S	24	14.0~26.4	0.07	5500	0.10	3.56	14.1	0.56	37.2	26
BGE05115_12U	B/S	12	7.0~13.2	0.15	6500	0.13	4.60	22.0	0.86	45.3	26
BGE05015_24U	B/S	24	14.0~26.4	0.12	6500	0.13	4.60	22.0	0.86	45.3	26
BGE05115_12V	B/S	12	7.0~13.2	0.21	7500	0.15	5.25	29.7	1.17	48.5	26
BGE05015_24V	B/S	24	14.0~26.4	0.15	7500	0.15	5.25	29.7	1.17	48.5	26

*Bearing system B: Two Ball Bearing F: Fluid Bearing S: Sleeve Bearing



unit:mm