

120 IG series

x120x25mm



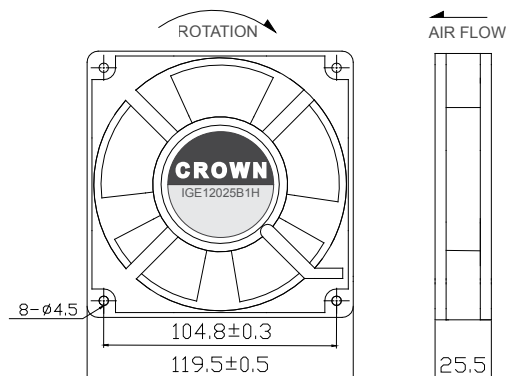
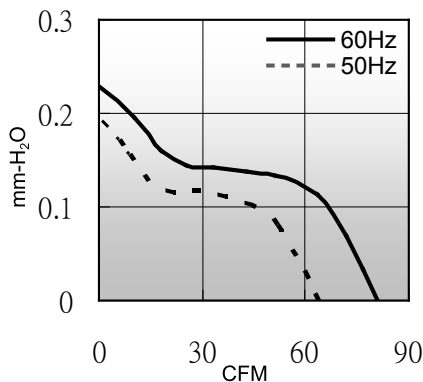
General Specifications

- Motor : Shaded pole AC motor
- Frame & Impeller : Al Die-casting & PBT plastic
- Storage temperature : -40°C to +75°C
- Operating temperature : -10°C to +70°C

Major Characteristic Parameters

Model	Bearing System	Rated Voltage	Freq.	Power Input	Rated Speed	Maximum Air Flow	Maximum Static Pressure	Sound Level	Weight		
Part NO.	B / S	V	Hz	W	RPM	m ³ /min	CFM	mm-H ₂ O	In-H ₂ O	dBA	Kg
IGE12025_1H	B / S	110	50/60	19/18	2200/2500	1.80/2.30	64/81	5.0/5.9	0.20/0.23	37/38	0.39
IGE12025_2H	B / S	230	50/60	19/18	2200/2500	1.80/2.30	64/81	5.0/5.9	0.20/0.23	37/38	0.39

*Bearing system B: Two Ball Bearing F: Fluid Bearing S: Sleeve Bearing



unit:mm