

120 IG series

x120x38mm



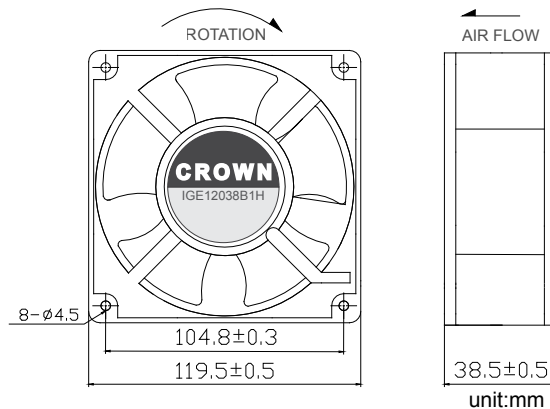
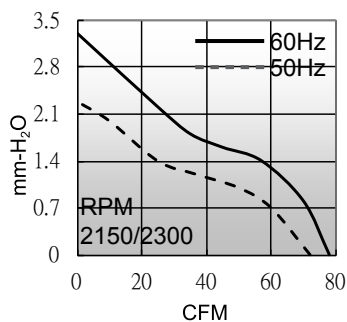
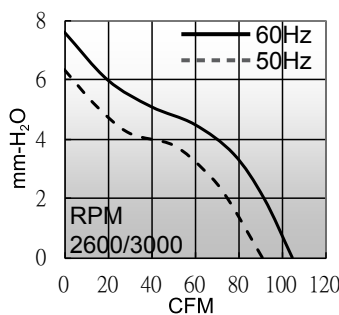
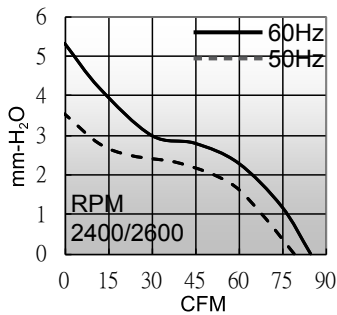
General Specifications

- Motor : Shaded pole AC motor
- Frame & Impeller : Al Die-casting & PBT plastic
- Storage temperature : -40°C to +75°C
- Operating temperature : -10°C to +70°C

Major Characteristic Parameters

Model	Bearing System	Rated Voltage	Freq.	Power Input	Rated Speed	Maximum Air Flow	Maximum Static Pressure	Sound Level	Weight		
Part NO.	B / S	V	Hz	W	RPM	m ³ /min	CFM	mm-H ₂ O	In-H ₂ O	dBA	Kg
IGE12038_1L	B / S	110	50/60	11/11	2150/2300	2.21/2.04	72/78	3.30/2.29	0.09/0.13	26/27	0.53
IGE12038_2L	B / S	230	50/60	11/15	2150/2300	2.21/2.04	72/78	3.30/2.29	0.09/0.13	26/27	0.53
IGE12038_1M	B / S	110	50/60	15/15	2400/2600	2.40/2.37	79/85	3.56/5.33	0.14/0.21	36/37	0.53
IGE12038_2M	B / S	230	50/60	15/15	2400/2600	2.40/2.37	79/85	3.56/5.33	0.14/0.21	36/37	0.53
IGE12038_1H	B / S	110	50/60	21/19	2600/3000	2.57/2.97	91/105	6.35/7.62	0.25/0.30	43/44	0.53
IGE12038_2H	B / S	230	50/60	21/19	2600/3000	2.57/2.97	91/105	6.35/7.62	0.25/0.30	43/44	0.53

*Bearing system B: Two Ball Bearing F: Fluid Bearing S: Sleeve Bearing



120 IG series

x120x38mm



EC Motor

60% efficient than current AC Fan
FG/RD Signal outputs is available

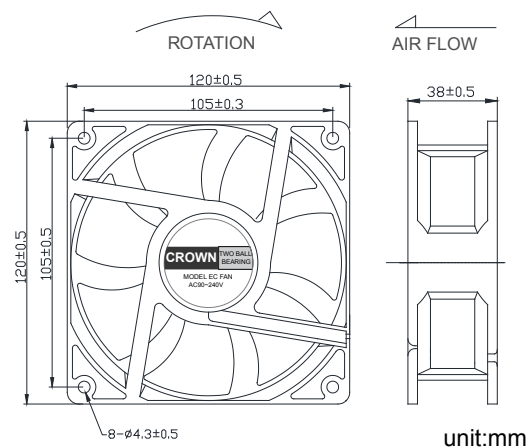
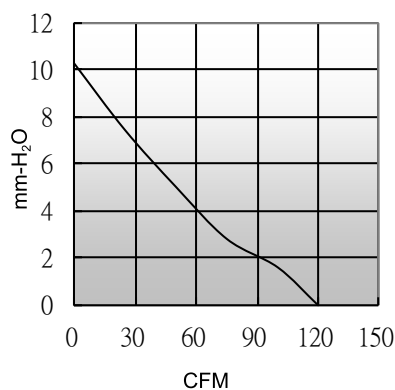
General Specifications

- Motor : EC motor
- Frame & Impeller : PBT plastic
- Storage temperature : -40°C to +75°C
- Operating temperature : -10°C to +70°C

Major Characteristic Parameters

Model	Bearing System	Rated Voltage	Freq.	Power Input	Rated Speed	Maximum Air Flow	Maximum Static Pressure	Sound Level	Weight		
Part NO.	B / S	V	Hz	W	RPM	m ³ /min	CFM	mm-H ₂ O	In-H ₂ O	dBA	Kg
IGF12038BXH	B	90~240	50/60	8	3200	3.43	121	10.22	0.40-	41	0.42

*Bearing system B: Two Ball Bearing F: Fluid Bearing S: Sleeve Bearing



120 IG series

x120x38mm



High Temperature fan is available!
 110V -40°C to 90°C
 230V -40°C to 85°C

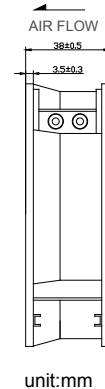
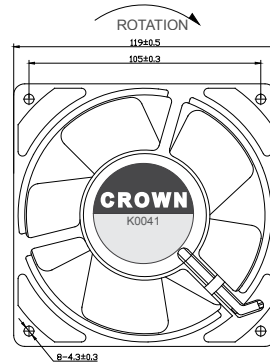
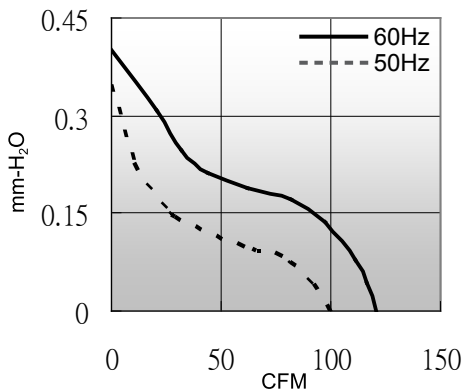
General Specifications

- Motor : Shaded pole AC motor
- Frame & Impeller : Metal
- Storage temperature : -40°C to +75°C
- Operating temperature : -10°C to +70°C

Major Characteristic Parameters

Model	Bearing System	Rated Voltage	Freq.	Power Input	Rated Speed	Maximum Air Flow	Maximum Static Pressure	Sound Level	Weight		
Part NO.	B / S	V	Hz	W	RPM	m ³ /min	CFM	mm-H ₂ O	In-H ₂ O	dBA	Kg
IGG12038B1H	B	110	50/60	21/19	2600/3000	2.58/3.20	91/110	6.35/7.62	0.25/0.30	41/42	0.53
IGG12038B2H	B	230	50/60	21/19	2600/3000	2.58/3.20	91/110	6.35/7.62	0.25/0.30	41/42	0.53

*Bearing system B: Two Ball Bearing F: Fluid Bearing S: Sleeve Bearing



unit:mm