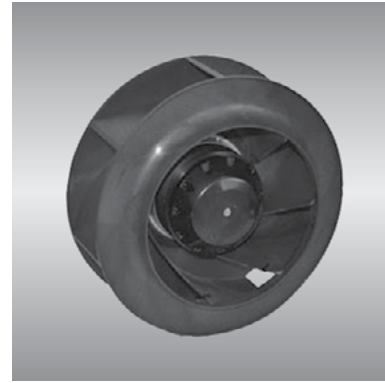


Ø 225 JG series

x99mm



General Specifications

- Material :Impeller:Plastic; Frame:Al Alloy
- Lead Wires:Wire
- Insulation class:F
- Air Flow direction:Inlet looking at motor
- Storage temperature : -40°C to +75°C
- Operating temperature : -10°C to +70°C

Major Characteristic Parameters

Model	Bearing System	Rated Voltage	Freq.	Power Input	Rated Speed	Maximum Air Flow	Maximum Static Pressure	Sound Level	Weight		
Part NO.	B / S	V	Hz	W	RPM	m ³ /min	CFM	mm-H ₂ O	In-H ₂ O	dBA	Kg
JGE22599B2	B	230	50	132	2650	19.1	674	53.34	2.1	73	2.25
JGE22599B2	B	230	60	188	2950	21.2	747	58.42	2.3	75	2.25

