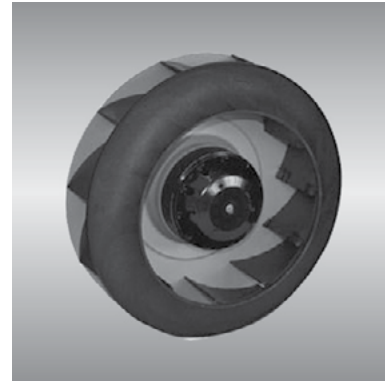


# Ø250 JG series

x89mm



## General Specifications

- Material :Impeller:Plastic; Frame:Al Alloy
- Lead Wires:Wire
- Insulation class:F
- Air Flow direction:Inlet looking at motor
- Storage temperature : -40°C to +75°C
- Operating temperature : -10°C to +70°C

## Major Characteristic Parameters

Model	Bearing System	Rated Voltage	Freq.	Power Input	Rated Speed	Maximum Air Flow	Maximum Static Pressure	Sound Level	Weight		
Part NO.	B / S	V	Hz	W	RPM	m <sup>3</sup> /min	CFM	mm-H <sub>2</sub> O	In-H <sub>2</sub> O	dBA	Kg
JGE25089B2	B	230	50	125	2400	20.02	707	50.8	2.0	71	2.5
JGE25089B2	B	230	60	165	2550	21.10	745	63.5	2.5	73	2.5

