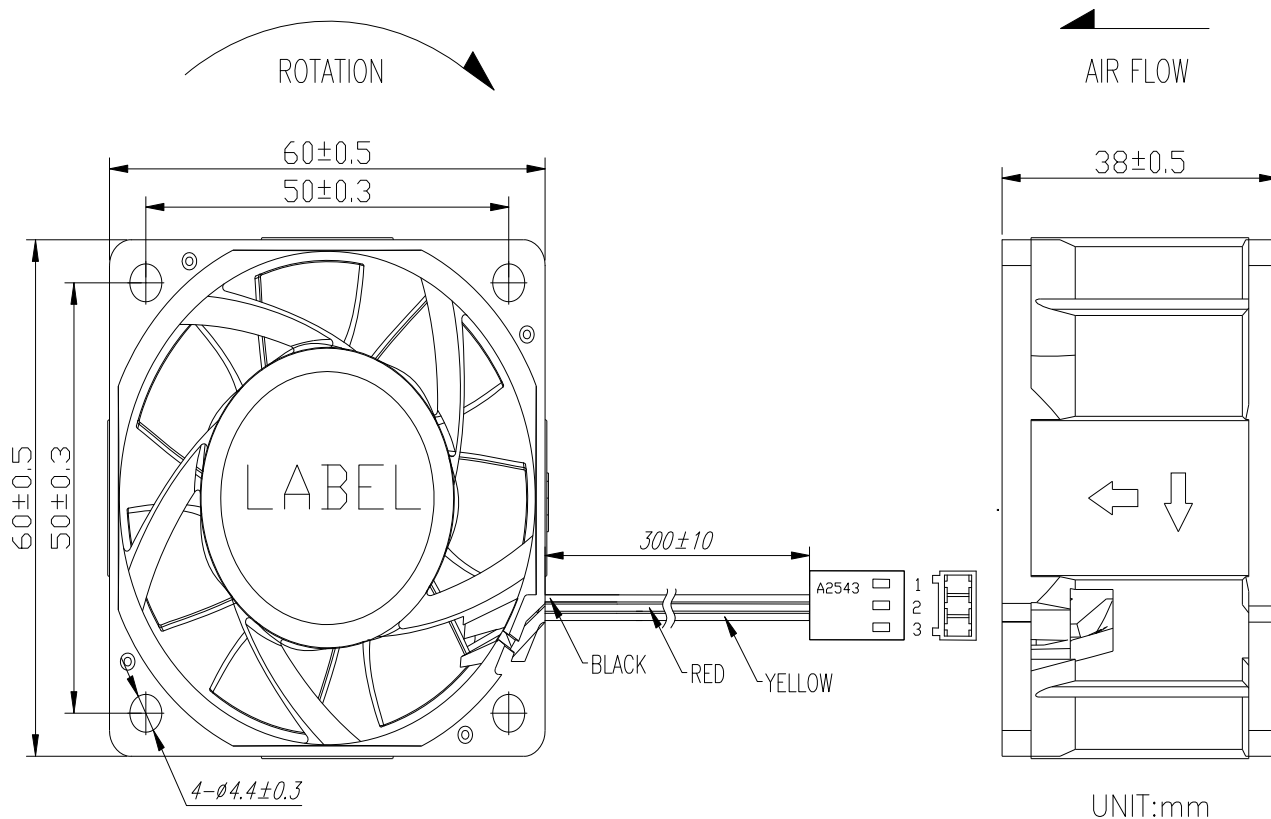


7. DIMENSION DRAWING



NOTE:

LEAD WIRES: WIRES UL 1007 #26 AWG

PIN1:BLACK WIRE----- (-)

PIN2:RED WIRE----- (+)

PIN3:YELLOW WIRE----- (FG)

2.CONNECTOR

HOUSING:A2543-3P OR EQUIVALENT