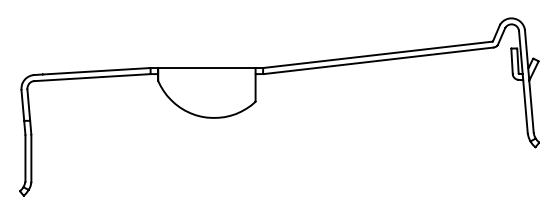
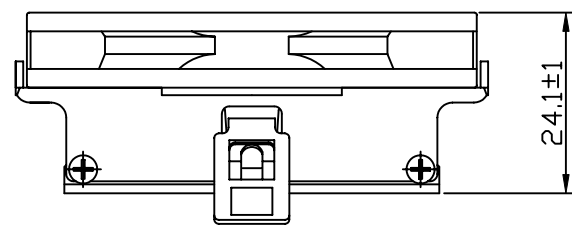
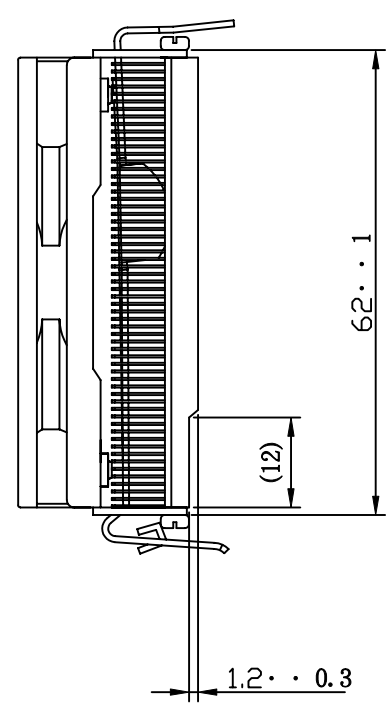
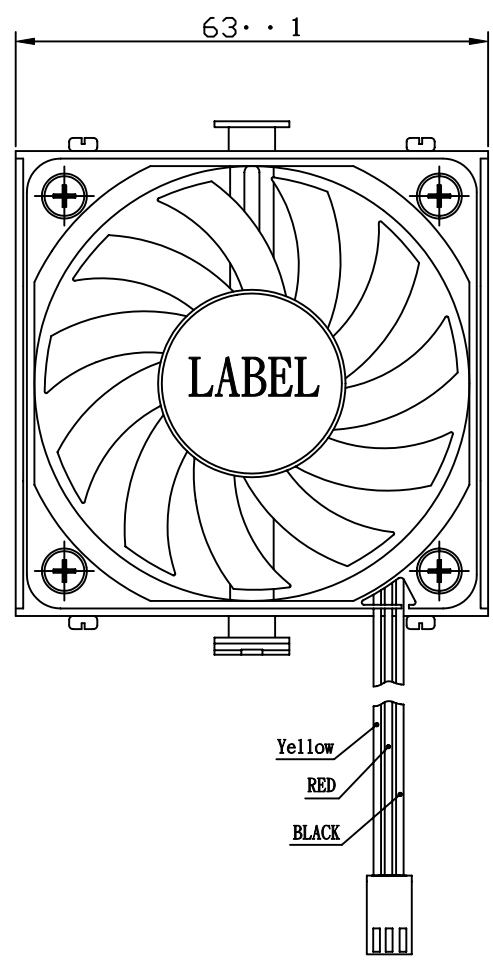


A

B

C

D



Note:

- 1. Fin Pitch is 1.0mm.
- 2. Fin Thickness is about 0.3mm.

MODEL	JAC334A-2A			NAME	COOLER			A		
DRN	Joyce	11/17 2004	MATERIAL	---	REV.	DESCRIPTION	SIGN	DATE		
DSN	John	11/17 2004	FINISH	---		DIM IN	mm	DO NOT		
CKD	Angel	11/17 2004	CHIA CHERNE INDUSTRY CO.,LTD			SHEET	1	OF	1	
APPD	Kavin	11/17 2004				DRAWING NO.			JAC334A-2A	
A			B			C			D	