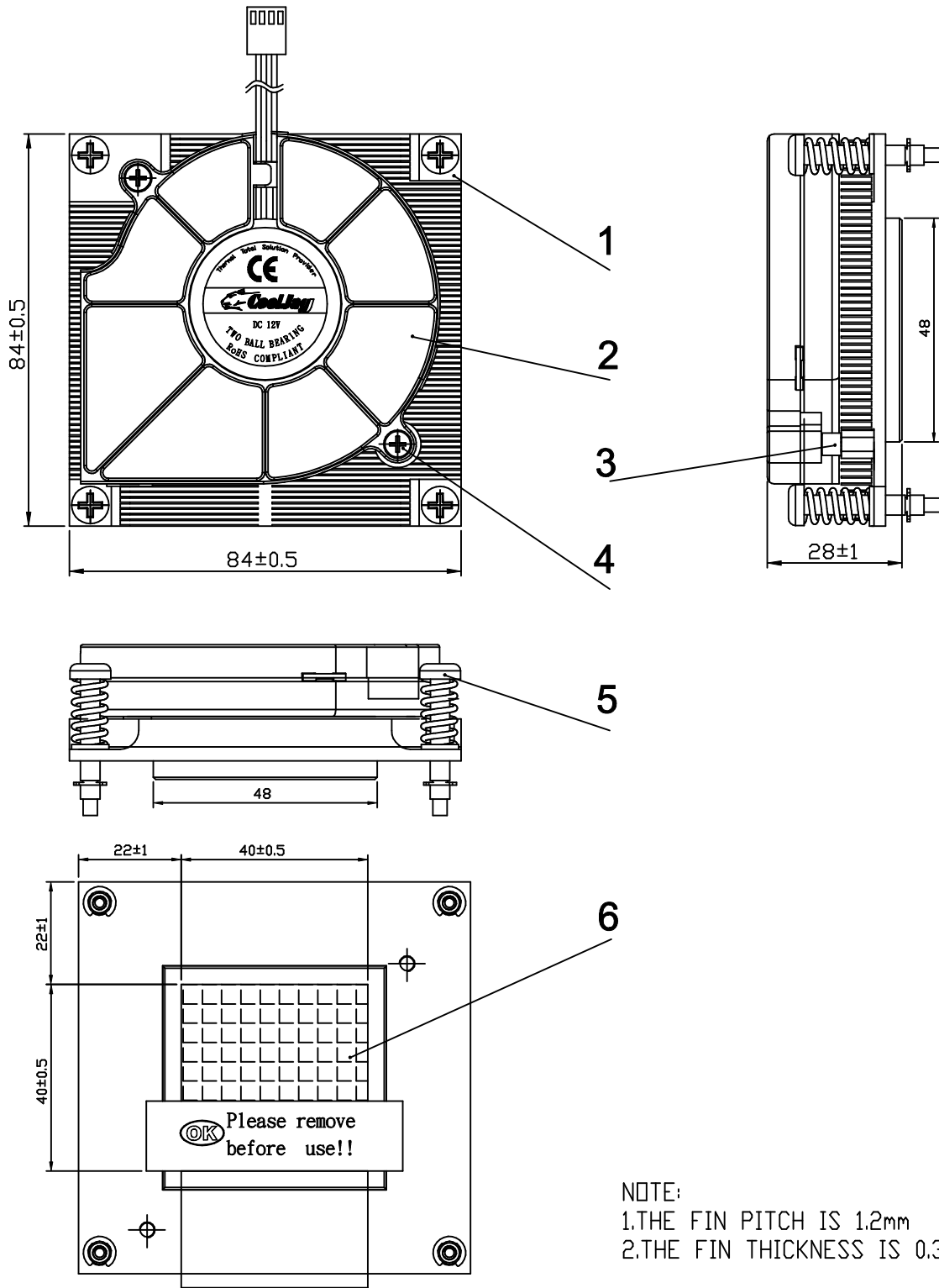


# GP



NOTE:  
 1. THE FIN PITCH IS 1.2mm  
 2. THE FIN THICKNESS IS 0.3±0.1mm

TOLERANCE TABLE (UNLESS OTHERWISE SPECIFIED)	
RANGE	TOL ±
UNDER 6	0.18
6~10	0.22
10~18	0.27
18~30	0.33
30~50	0.39
50~80	0.46
80~120	0.54
120~250	0.63
250 OVER	0.8
ANG TOL ±	1°

REV	DESCRIPTION	DATE	DRN	TONY	07/30 2009	P/N:	JACLL03C	QTY
MATERIAL: --		FINISH: --		REV: --		TITLE: COOLER		SCALE: 1:1
				APP				UNIT: M/M

**CHIA CHERNE INDUSTRY CO., LTD.**  
**CoolJag**  
 TEL: +886 4 7323090  
 FAX: +886 4 7383155

