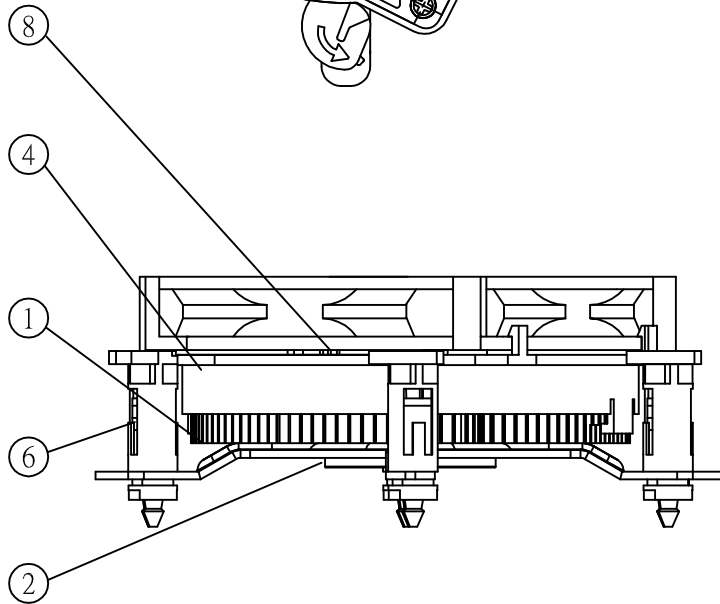
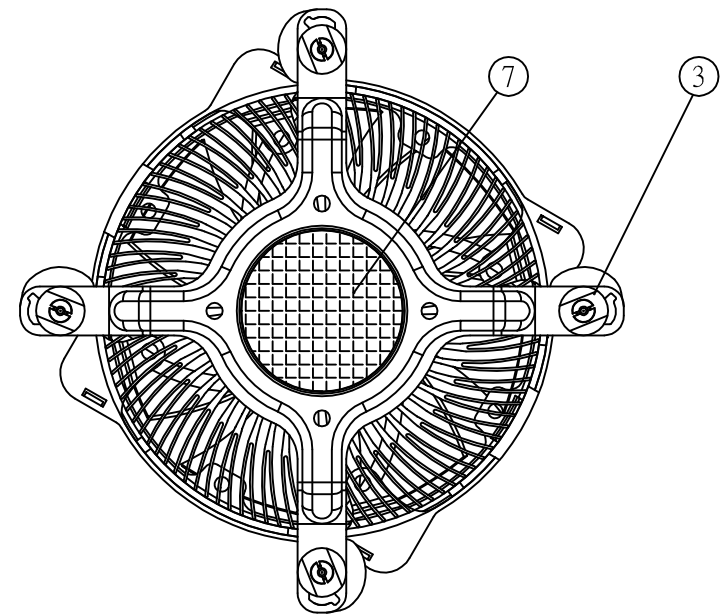
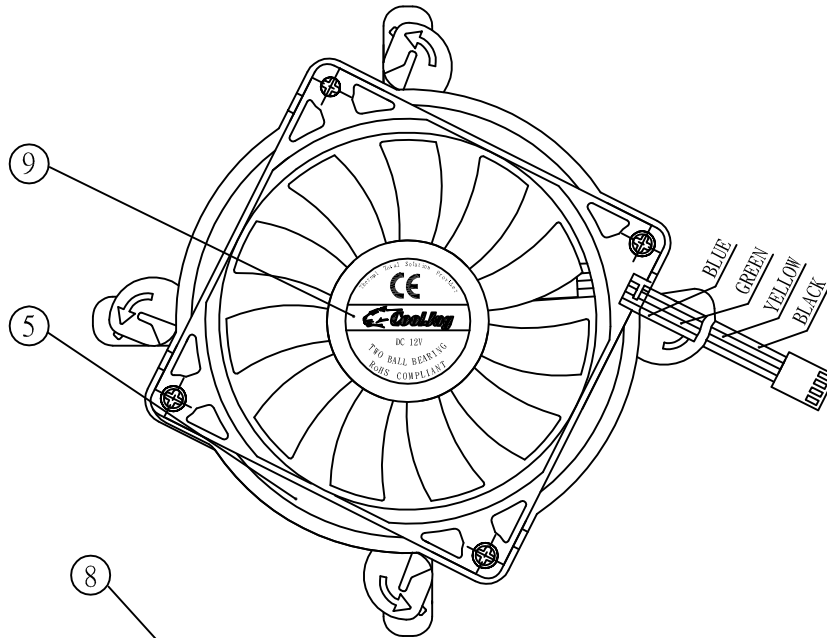


GP



NOTE:

1. DEBURR AND BREAK ALL SHARP EDGES.
2. BOTTOM DIAGONAL FLATNESS < ± 0.05 mm
3. 風扇出線方向需注意

1.	--	Heatsink	1
2.	--	Cu Core	1
3.	--	Bracket	1
4.	--	Fan Cover	1
5.	JAF808015H4	PWM Fan	1
6.	--	PUSH PIN	4
7.	--	Thermal Grease SC-102- $\phi 33$	0.25
8.	JAS242F	Washer	4
9.	PTJA99	Fan Label	1
	P/N	DESCRIPTION	QTY

DRN	Fanny	09/26 2011	P/N:	JYC8L05AGC-E-000
-----	-------	---------------	------	------------------

TOLERANCE TABLE (UNLESS OTHERWISE SPECIFIED)	
RANGE	TOL \pm
UNDER 6	0.18
6~10	0.22
10~18	0.27
18~30	0.33
30~50	0.39
50~80	0.46
80~120	0.54
120~250	0.63
250 OVER	0.8
ANG TOL \pm	1°

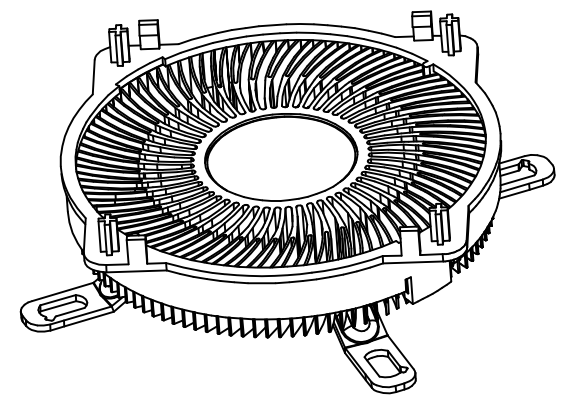
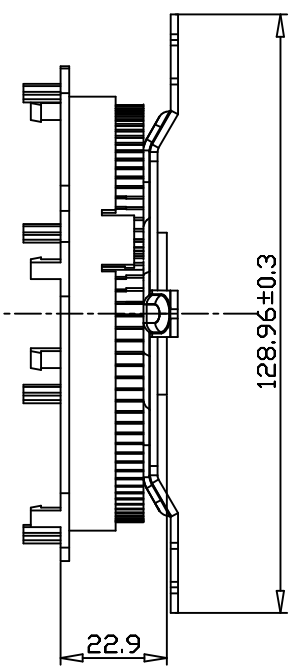
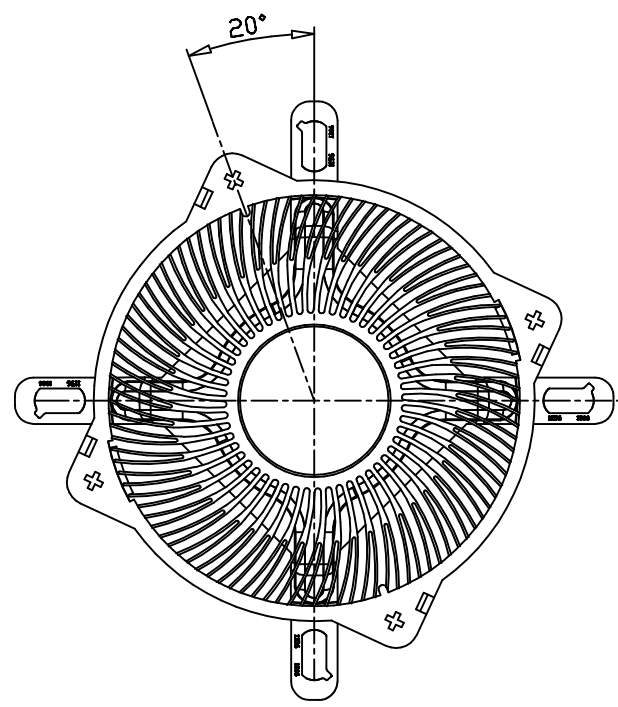
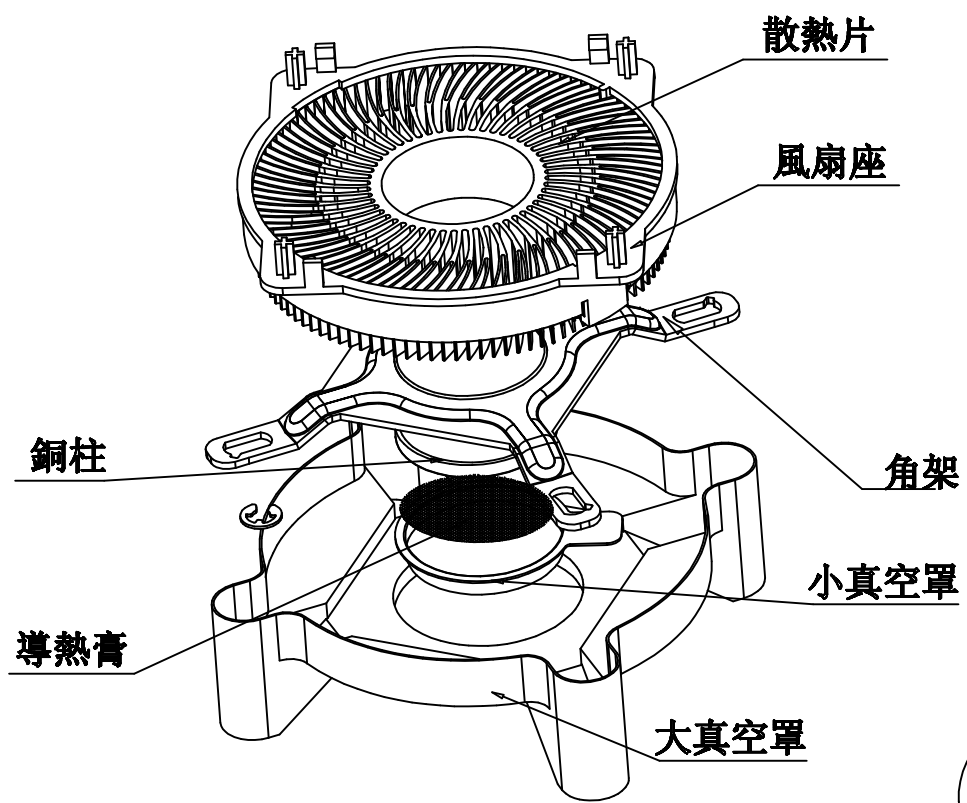
REV	DESCRIPTION	DATE
	REVISION HISTORY	

MATERIAL: -- FINISH: -- REV: --

CHIA CHERNE INDUSTRY CO., LTD.
 TEL: +886 4 7323090 FAX: +886 4 7383155

CHK APP

TITLE: COOLER For 1156 (75*75mm) SCALE: -- UNIT: M/M



TOLERANCE TABLE
(UNLESS OTHERWISE SPECIFIED)

RANGE	TOL±
UNDER 6	0.18
6~10	0.22
10~18	0.27
18~30	0.33
30~50	0.39
50~80	0.46
80~120	0.54
120~250	0.63
250 OVER	0.8
ANG TOL±	1°

REV	DESCRIPTION	DATE
REVISION HISTORY		

MATERIAL: ---	FINISH: ---	REV: --
CHIA CHIENG INDUSTRY CO., LTD. TEL: +886 4 7323090 FAX: +886 4 7383155		

DRN	FANNY	09/23 2009	P/N: JYCOL05AGC
CHK			TITLE: COOLER
APP			SCALE: --- UNIT: M/M
組裝圖005-T6			