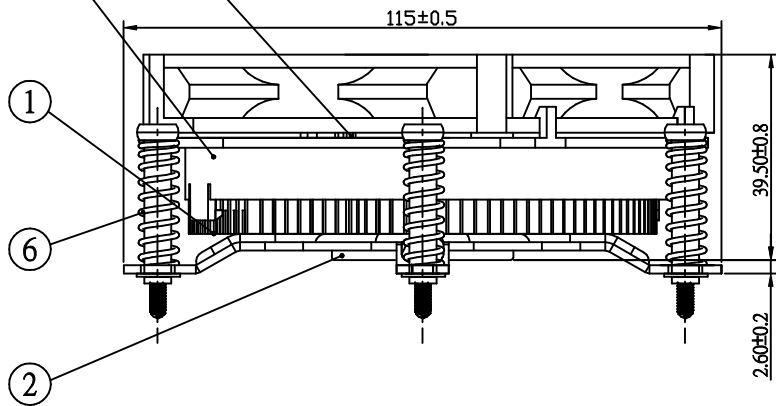
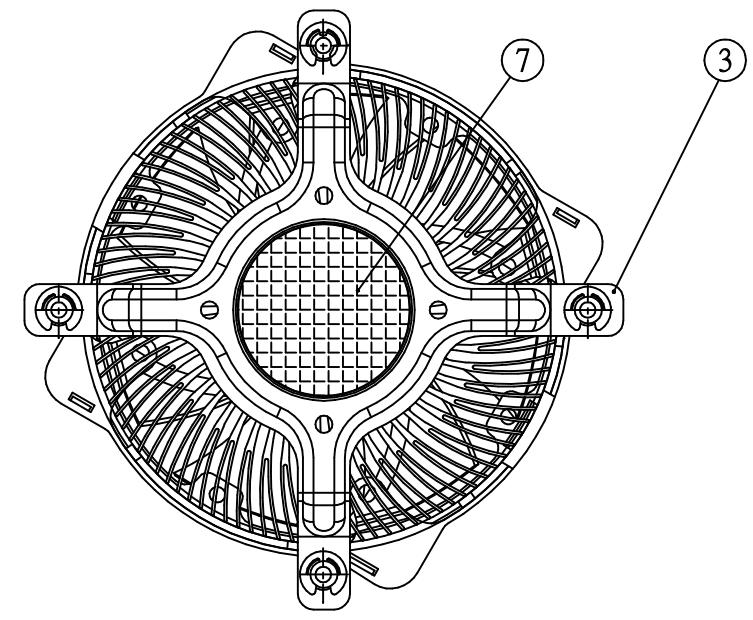
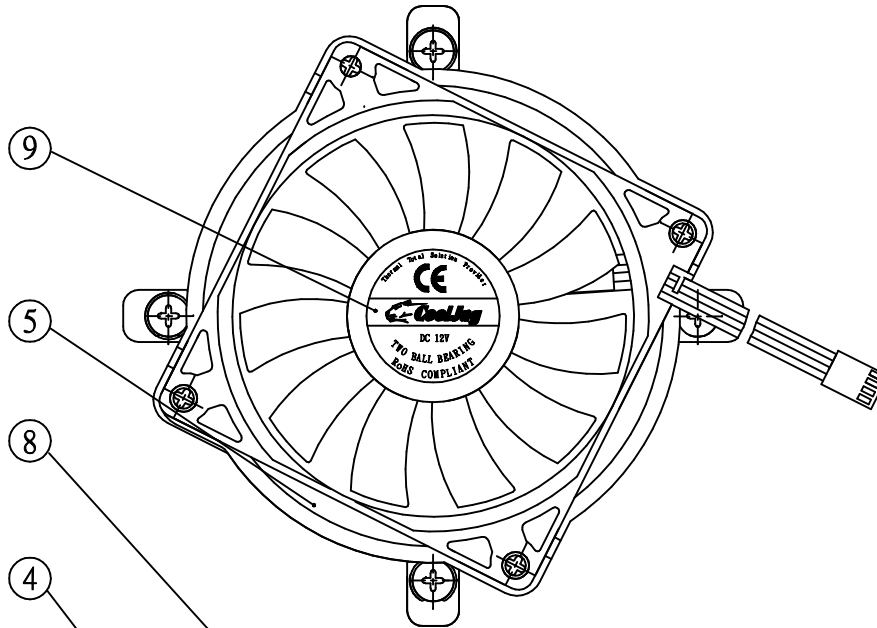


# GP



NOTE:  
 1. DEBURR AND BREAK ALL SHARP EDGES.  
 2. BOTTOM DIAGONAL FLATNESS <  $\pm 0.05$  mm

TOLERANCE TABLE (UNLESS OTHERWISE SPECIFIED)	
RANGE	TOL±
UNDER 6	0.18
6~10	0.22
10~18	0.27
18~30	0.33
30~50	0.39
50~80	0.46
80~120	0.54
120~250	0.63
250 OVER	0.8
ANG TOL±	1°

P/N	DESCRIPTION	QTY
1. JYC0501A-A	Heatsink	1
2. --	Cu Core	1
3. --	Bracket	1
4. --	Fan Cover	1
5. JAF808015H4	DC Fan	1
6. --	Spring Screw Kit	4
7. --	Thermal Grease SC-102 / Ø33	0.25
8. JAS242F	Washer	4
9. PTJA99	Fan Label	1

REV	DESCRIPTION	DATE
	REVISION HISTORY	

MATERIAL: -- FINISH: -- REV: --

**CHIA CHERNE INDUSTRY CO., LTD.**  
**CoolJag** TEL: +886 4 7323090 FAX: +886 4 7383155

DRN	Tony	08/18 2009	P/N: JYCC501A-4G	SCALE: 1:1.5
CHK			TITLE: COOLER	UNIT: M/M
APP				