

2510

25x25x10MM

General Specifications

- ◆ Material..... Frame: Plastic (UL94V-0)
Impeller: Plastic (UL94V-0)
Lead Wire: UL1571AWG#28 or Equivalent (+) Red, (-) Black
- ◆ Expected Life..... Ball Bearing 70,000hrs (40°C)
Sleeve Bearing 30,000hrs (40°C)
- ◆ Temperature Range.... Operating Temperature -10°C~70°C (Non-condensing)
Storage Temperature -40°C~70°C (Non-condensing)
- ◆ Safety Standards..... UL, TUV, RoHS, CE
- ◆ DC Fan Specials..... RD, FG, IP54

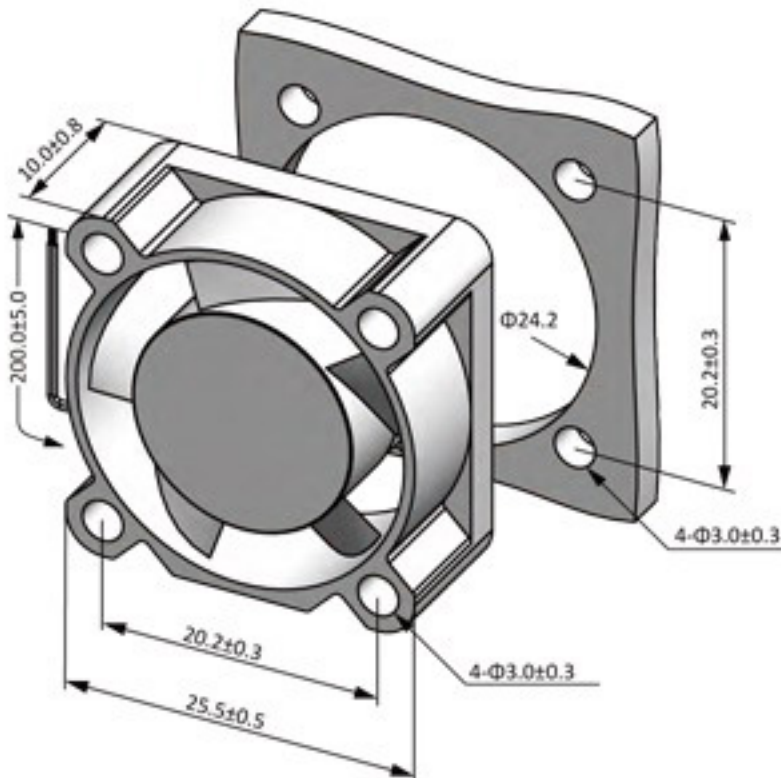


Specifications

| Model | Rev | #Bearing Type | Rated Voltage | Operating Voltage | Input Current | Input Power | Speed | Max Air Flow | | Max Static Pressure | | Noise | Weight |
|-------------|-----|---------------|---------------|-------------------|---------------|-------------|-------|--------------|---------------------|-----------------------|-------|-------|--------|
| Part No. | XXX | B | VDC | VDC | Amp | Watt | RPM | CFM | m ³ /min | Inch-H ₂ O | Pa | dB-A | g |
| DA02510#05U | | B.5 | 5 | 3.5~5.5 | 0.22 | 1.00 | 12000 | 2.44 | 0.07 | 0.28 | 69.01 | 28.0 | 6.0 |
| DA02510#05H | | B.5 | 5 | 3.5~5.5 | 0.18 | 0.90 | 10000 | 1.91 | 0.05 | 0.16 | 39.42 | 25.0 | 6.0 |
| DA02510#05M | | B.5 | 5 | 3.5~5.5 | 0.14 | 0.70 | 8000 | 1.46 | 0.04 | 0.09 | 22.65 | 22.0 | 6.0 |
| DA02510#05L | | B.5 | 5 | 3.5~5.5 | 0.10 | 0.50 | 6000 | 1.00 | 0.03 | 0.05 | 13.44 | 18.0 | 6.0 |
| DA02510#12U | | B.5 | 12 | 7.0~13.8 | 0.10 | 1.20 | 12000 | 2.44 | 0.07 | 0.28 | 69.01 | 28.0 | 6.0 |
| DA02510#12H | | B.5 | 12 | 7.0~13.8 | 0.08 | 0.96 | 10000 | 1.91 | 0.05 | 0.16 | 39.42 | 25.0 | 6.0 |
| DA02510#12M | | B.5 | 12 | 7.0~13.8 | 0.06 | 0.72 | 8000 | 1.46 | 0.04 | 0.09 | 22.65 | 22.0 | 6.0 |
| DA02510#12L | | B.5 | 12 | 7.0~13.8 | 0.04 | 0.48 | 6000 | 1.00 | 0.03 | 0.05 | 13.44 | 18.0 | 6.0 |

All model could be customized on voltage or any other requirements to fit your need.

Dimensions (Unit:mm)



PQ Curve (At Rated Voltage)

