

3015

30x30x15MM

General Specifications

- ◆ Material..... Frame: Plastic (UL94V-0)
Impeller: Plastic (UL94V-0)
Lead Wire: UL1571AWG#28 or Equivalent (+) Red, (-) Black
- ◆ Expected Life..... Ball Bearing 70,000hrs (40°C)
Sleeve Bearing 30,000hrs (40°C)
- ◆ Temperature Range.... Operating Temperature -10°C~70°C (Non-condensing)
Storage Temperature -40°C~70°C (Non-condensing)
- ◆ Safety Standards..... UL, TUV, RoHS, CE
- ◆ DC Fan Specials..... RD, FG, IP54

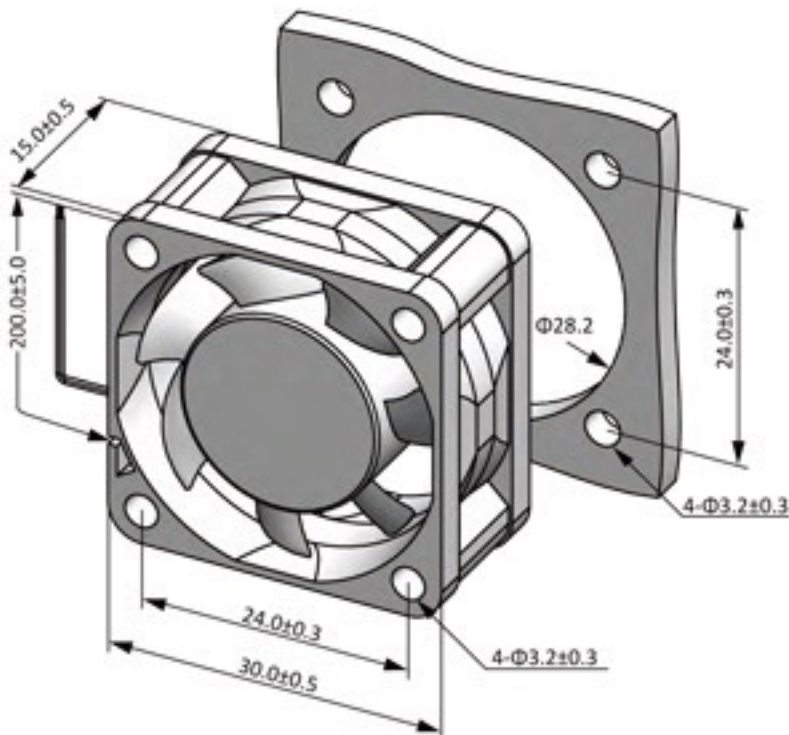


Specifications

Model	Rev	#Bearing Type	Rated Voltage	Operating Voltage	Input Current	Input Power	Speed	Max Air Flow		Max Static Pressure		Noise	Weight
Part No.	XXX	B	VDC	VDC	Amp	Watt	RPM	CFM	m ³ /min	Inch-H ₂ O	Pa	dB-A	g
DA03015#05U		B.S	5	3.5~5.5	0.35	1.75	14000	6.05	0.17	0.39	97.25	41.0	12.0
DA03015#05H		B.S	5	3.5~5.5	0.25	1.25	10000	4.51	0.13	0.25	62.25	31.0	12.0
DA03015#05M		B.S	5	3.5~5.5	0.18	0.90	8000	3.33	0.09	0.13	31.38	25.0	12.0
DA03015#05L		B.S	5	3.5~5.5	0.12	0.60	6000	2.35	0.07	0.07	17.65	21.0	12.0
DA03015#12U		B.S	12	7.0~13.8	0.19	2.28	14000	4.51	0.13	0.39	97.25	41.0	12.0
DA03015#12H		B.S	12	7.0~13.8	0.12	1.44	10000	4.51	0.13	0.25	62.25	31.0	12.0
DA03015#12M		B.S	12	7.0~13.8	0.09	1.08	8000	3.33	0.09	0.13	31.38	25.0	12.0
DA03015#12L		B.S	12	7.0~13.8	0.06	0.72	6000	2.35	0.07	0.07	17.65	21.0	12.0
DA03015#24U		B.S	24	14.0~27.6	0.10	2.40	14000	4.51	0.13	0.39	97.25	41.0	12.0
DA03015#24H		B.S	24	14.0~27.6	0.06	1.44	10000	4.51	0.13	0.25	62.25	31.0	12.0
DA03015#24M		B.S	24	14.0~27.6	0.05	1.20	8000	3.33	0.09	0.13	31.38	25.0	12.0
DA03015#24L		B.S	24	14.0~27.6	0.03	0.72	6000	2.35	0.07	0.07	17.65	21.0	12.0

All model could be customized on voltage or any other requirements to fit your need.

Dimensions (Unit:mm)



PQ Curve (At Rated Voltage)

