

3510

35x35x10MM

General Specifications

- ◆ Material..... Frame: Plastic (UL94V-0)
Impeller: Plastic (UL94V-0)
Lead Wire: UL1571AWG#28 or Equivalent (+) Red, (-) Black
- ◆ Expected Life..... Ball Bearing 70,000hrs (40°C)
Sleeve Bearing 30,000hrs (40°C)
- ◆ Temperature Range.... Operating Temperature -10°C~70°C (Non-condensing)
Storage Temperature -40°C~70°C (Non-condensing)
- ◆ Safety Standards..... UL, TUV, RoHS, CE
- ◆ DC Fan Specials..... RD, FG, IP54

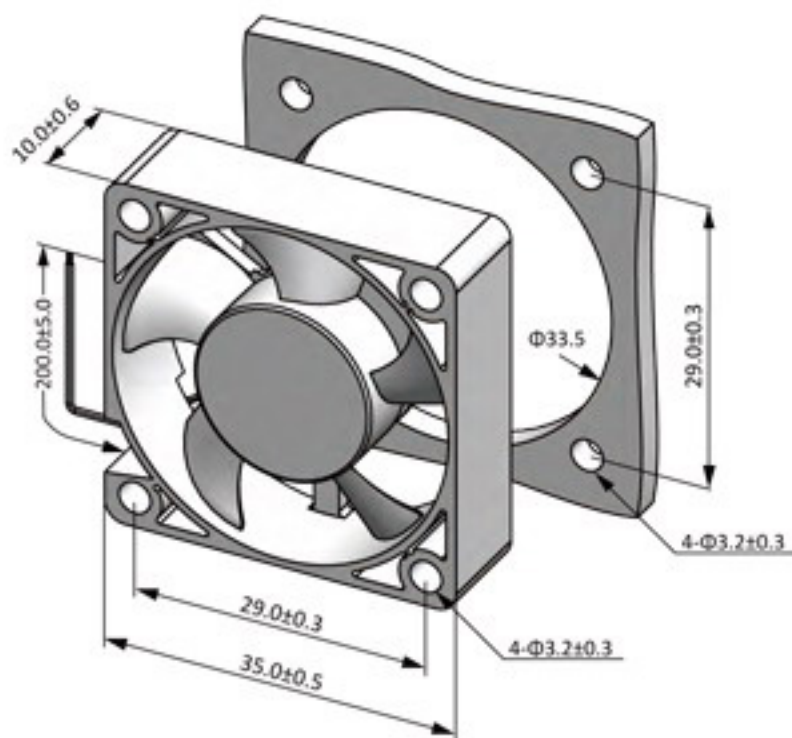


Specifications

Model	Rev	#Bearing Type	Rated Voltage	Operating Voltage	Input Current	Input Power	Speed	Max Air Flow		Max Static Pressure		Noise	Weight
Part No.	XXX	B	VDC	VDC	Amp	Watt	RPM	CFM	m ³ /min	Inch-H ₂ O	Pa	dB-A	g
DA03510#05U		B.5	5	3.5~5.5	0.30	1.50	10000	7.78	0.22	0.24	58.91	36.0	10.0
DA03510#05H		B.5	5	3.5~5.5	0.25	1.25	8000	6.19	0.18	0.18	44.82	32.0	10.0
DA03510#05M		B.5	5	3.5~5.5	0.18	0.90	6000	4.88	0.14	0.13	32.37	29.0	10.0
DA03510#05L		B.5	5	3.5~5.5	0.12	0.60	4000	3.15	0.09	0.07	17.43	26.0	10.0
DA03510#12U		B.5	12	7.0~13.8	0.22	2.64	10000	7.78	0.22	0.24	58.91	36.0	10.0
DA03510#12H		B.5	12	7.0~13.8	0.18	2.16	8000	6.19	0.18	0.18	44.82	32.0	10.0
DA03510#12M		B.5	12	7.0~13.8	0.14	1.68	6000	4.88	0.14	0.10	32.37	29.0	10.0
DA03510#12L		B.5	12	7.0~13.8	0.10	1.20	4000	3.15	0.09	0.07	17.43	26.0	10.0
DA03510#24U		B.5	24	24.0~17.6	0.11	2.64	10000	7.78	0.22	0.24	58.91	36.0	10.0
DA03510#24H		B.5	24	24.0~17.6	0.09	2.16	8000	6.19	0.18	0.18	44.82	32.0	10.0
DA03510#24M		B.5	24	24.0~17.6	0.07	1.68	6000	4.88	0.14	0.10	32.37	29.0	10.0
DA03510#24L		B.5	24	24.0~17.6	0.05	1.20	4000	3.15	0.09	0.07	17.43	26.0	10.0

All model could be customized on voltage or any other requirements to fit your need.

Dimensions (Unit:mm)



PQ Curve (At Rated Voltage)

