

4015

40x40x15MM

NEW



General Specifications

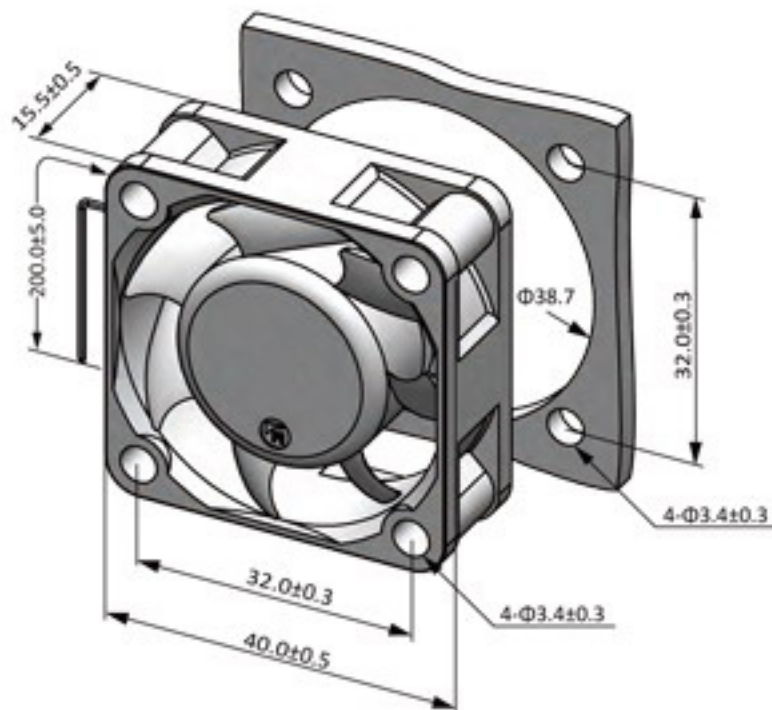
- ◆ Material..... Frame: Plastic (UL94V-0)
Impeller: Plastic (UL94V-0)
Lead Wire: UL1007AWG#26 or Equivalent (+) Red, (-) Black
- ◆ Expected Life..... Ball Bearing 70,000hrs (40°C)
Sleeve Bearing 30,000hrs (40°C)
- ◆ Temperature Range.... Operating Temperature -10°C~70°C (Non-condensing)
Storage Temperature -40°C~70°C (Non-condensing)
- ◆ Safety Standards..... UL, TUV, RoHS, CE
- ◆ DC Fan Specials..... RD, FG, IP56

Specifications

Model	Rev	#Bearing Type	Rated Voltage	Operating Voltage	Input Current	Input Power	Speed	Max Air Flow		Max Static Pressure		Noise	Weight
Part No.	XXX	B.S	VDC	VDC	Amp	Watt	RPM	CFM	m ³ /min	Inch-H ₂ O	Pa	dB-A	g
DA04015#05U		B	5	3.5~5.5	0.70	3.50	12000	9.40	0.27	0.32	78.66	36.5	25.0
DA04015#05H		B	5	3.5~5.5	0.60	3.00	10000	8.25	0.23	0.24	60.63	33.1	25.0
DA04015#05M		B	5	3.5~5.5	0.35	1.75	8000	6.87	0.19	0.17	43.43	28.2	25.0
DA04015#05L		B	5	3.5~5.5	0.25	1.25	6000	5.74	0.16	0.12	29.79	24.4	25.0
DA04015#12U		B	12	7.0~13.8	0.30	3.60	12000	9.40	0.27	0.32	78.66	36.5	25.0
DA04015#12H		B	12	7.0~13.8	0.26	3.12	10000	8.25	0.23	0.24	60.63	33.1	25.0
DA04015#12M		B	12	7.0~13.8	0.16	1.92	8000	6.87	0.19	0.17	43.43	28.2	25.0
DA04015#12L		B	12	7.0~13.8	0.10	1.20	6000	5.74	0.16	0.12	29.79	24.4	25.0
DA04015#24U		B	24	14.0~27.6	0.15	3.60	12000	9.40	0.27	0.32	78.66	36.5	25.0
DA04015#24H		B	24	14.0~27.6	0.13	3.12	10000	8.25	0.23	0.24	60.63	33.1	25.0
DA04015#24M		B	24	14.0~27.6	0.08	1.92	8000	6.87	0.19	0.17	43.43	28.2	25.0
DA04015#24L		B	24	14.0~27.6	0.06	1.44	6000	5.74	0.16	0.12	29.79	24.4	25.0

All model could be customized on voltage or any other requirements to fit your need.

Dimensions (Unit:mm)



PQ Curve (At Rated Voltage)

