

4010

40x40x10MM



General Specifications

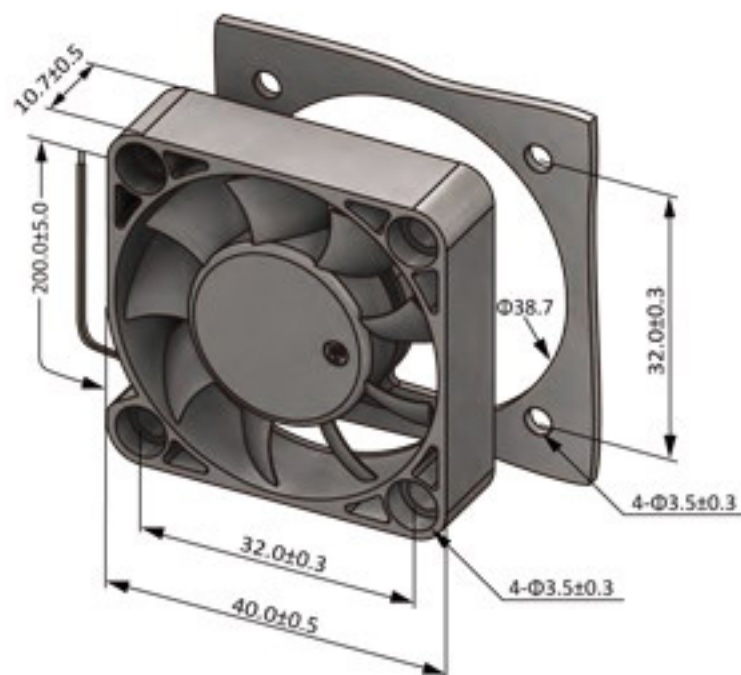
- ◆ Material..... Frame: Plastic (UL94V-0)
Impeller: Plastic (UL94V-0)
Lead Wire: UL1007AWG#26 or Equivalent (+) Red, (-) Black
- ◆ Expected Life..... Ball Bearing 70,000hrs (40°C)
Sleeve Bearing 30,000hrs (40°C)
- ◆ Temperature Range.... Operating Temperature -10°C~70°C (Non-condensing)
Storage Temperature -40°C~70°C (Non-condensing)
- ◆ Safety Standards..... UL, TUV, RoHS, CE
- ◆ DC Fan Specials..... RD, FG, IP56

Specifications

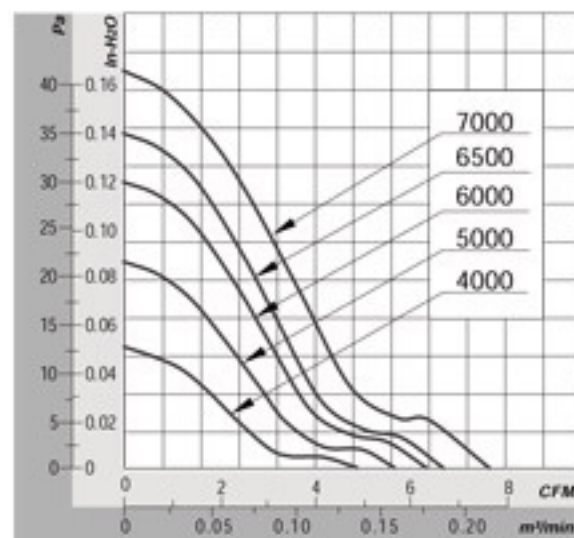
Model	Rev	#Bearing Type	Rated Voltage	Operating Voltage	Input Current	Input Power	Speed	Max Air Flow		Max Static Pressure		Noise	Weight
Part No.	XXX	B	VDC	VDC	Amp	Watt	RPM	CFM	m ³ /min	Inch-H ₂ O	Pa	dB-A	g
DA04010#05U	B01	B.S	5	3.5~5.5	0.22	1.10	7000	7.35	0.21	0.17	41.78	33.5	16.0
DA04010#05H	B01	B.S	5	3.5~5.5	0.18	1.10	6500	6.72	0.19	0.14	34.86	31.3	16.0
DA04010#05M	B01	B.S	5	3.5~5.5	0.14	0.70	6000	6.30	0.18	0.12	30.60	30.2	16.0
DA04010#05L	B01	B.S	5	3.5~5.5	0.10	0.50	5000	5.08	0.14	0.09	21.48	24.1	16.0
DA04010#05D	B01	B.S	5	3.5~5.5	0.08	0.40	4000	4.02	0.11	0.06	13.73	20.5	16.0
DA04010#12U	B01	B.S	12	7.0~13.8	0.15	1.80	7000	7.35	0.21	0.17	41.78	33.5	16.0
DA04010#12H	B01	B.S	12	7.0~13.8	0.10	1.20	6500	6.72	0.19	0.14	34.86	31.3	16.0
DA04010#12M	B01	B.S	12	7.0~13.8	0.08	0.96	6000	6.30	0.18	0.12	30.60	30.2	16.0
DA04010#12L	B01	B.S	12	7.0~13.8	0.06	0.72	5000	5.08	0.14	0.09	21.48	24.1	16.0
DA04010#12D	B01	B.S	12	7.0~13.8	0.04	0.48	4000	4.02	0.11	0.06	13.73	20.5	16.0
DA04010#24U	B01	B.S	24	14.0~27.6	0.07	1.68	7000	7.35	0.21	0.17	41.78	33.5	16.0
DA04010#24H	B01	B.S	24	14.0~27.6	0.06	1.44	6500	6.72	0.19	0.14	34.86	31.3	16.0
DA04010#24M	B01	B.S	24	14.0~27.6	0.05	1.20	6000	6.30	0.18	0.12	30.60	30.2	16.0
DA04010#24L	B01	B.S	24	14.0~27.6	0.04	0.96	5000	5.08	0.14	0.09	21.48	24.1	16.0

All model could be customized on voltage or any other requirements to fit your need.

Dimensions (Unit:mm)



PQ Curve (At Rated Voltage)



4010

40x40x10MM

General Specifications

- ◆ Material..... Frame: Plastic (UL94V-0)
Impeller: Plastic (UL94V-0)
Lead Wire: UL1007AWG#26 or Equivalent (+) Red, (-) Black
- ◆ Expected Life..... Ball Bearing 70,000hrs (40°C)
Sleeve Bearing 30,000hrs (40°C)
- ◆ Temperature Range.... Operating Temperature -10°C~70°C (Non-condensing)
Storage Temperature -40°C~70°C (Non-condensing)
- ◆ Safety Standards..... UL, TUV, RoHS, CE
- ◆ DC Fan Specials..... RD, FG, IP56

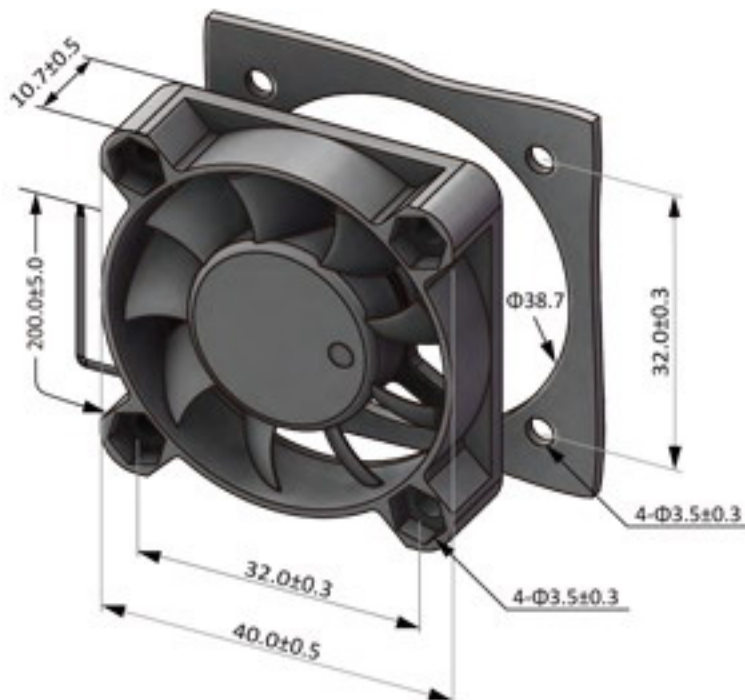


Specifications

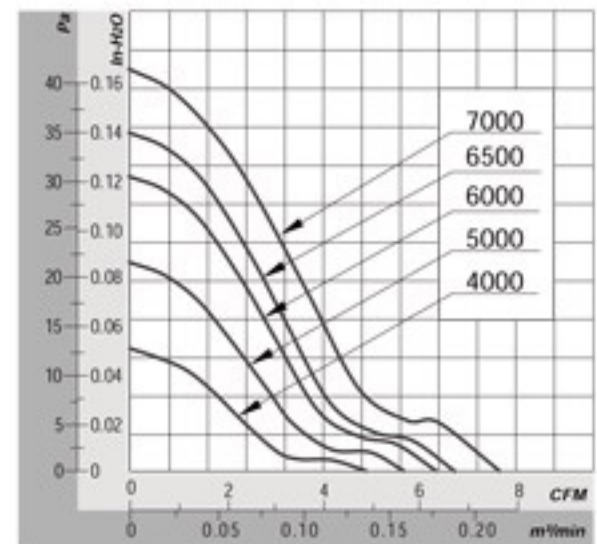
Model	Rev	#Bearing Type	Rated Voltage	Operating Voltage	Input Current	Input Power	Speed	Max Air Flow		Max Static Pressure		Noise	Weight
Part No.	XXX	B	VDC	VDC	Amp	Watt	RPM	CFM	m ³ /min	Inch-H ₂ O	Pa	dB-A	g
DA04010#05U		B.S	5	3.5~5.5	0.22	1.10	7000	7.35	0.21	0.17	41.78	33.5	16.0
DA04010#05H		B.S	5	3.5~5.5	0.18	1.10	6500	6.72	0.19	0.14	34.86	31.3	16.0
DA04010#05M		B.S	5	3.5~5.5	0.14	0.70	6000	6.30	0.18	0.12	30.60	30.2	16.0
DA04010#05L		B.S	5	3.5~5.5	0.10	0.50	5000	5.08	0.14	0.09	21.48	24.1	16.0
DA04010#05D		B.S	5	3.5~5.5	0.08	0.40	4000	4.02	0.11	0.06	13.73	20.5	16.0
DA04010#12U		B.S	12	7.0~13.8	0.15	1.80	7000	7.35	0.21	0.17	41.78	33.5	16.0
DA04010#12H		B.S	12	7.0~13.8	0.10	1.20	6500	6.72	0.19	0.14	34.86	31.3	16.0
DA04010#12M		B.S	12	7.0~13.8	0.08	0.96	6000	6.30	0.18	0.12	30.60	30.2	16.0
DA04010#12L		B.S	12	7.0~13.8	0.06	0.72	5000	5.08	0.14	0.09	21.48	24.1	16.0
DA04010#12D		B.S	12	7.0~13.8	0.04	0.48	4000	4.02	0.11	0.06	13.73	20.5	16.0
DA04010#24U		B.S	24	14.0~27.6	0.07	1.68	7000	7.35	0.21	0.17	41.78	33.5	16.0
DA04010#24H		B.S	24	14.0~27.6	0.06	1.44	6500	6.72	0.19	0.14	34.86	31.3	16.0
DA04010#24M		B.S	24	14.0~27.6	0.05	1.20	6000	6.30	0.18	0.12	30.60	30.2	16.0
DA04010#24L		B.S	24	14.0~27.6	0.04	0.96	5000	5.08	0.14	0.09	21.48	24.1	16.0

All model could be customized on voltage or any other reuirements to fit your need.

Dimensions (Unit:mm)



PQ Curve (At Rated Voltage)



4010

40x40x10MM

General Specifications

- ◆ Material..... Frame: Plastic (UL94V-0)
Impeller: Plastic (UL94V-0)
Lead Wire: UL1007AWG#26 or Equivalent (+) Red, (-) Black
- ◆ Expected Life..... Ball Bearing 70,000hrs (40°C)
Sleeve Bearing 30,000hrs (40°C)
- ◆ Temperature Range.... Operating Temperature -10°C~70°C (Non-condensing)
Storage Temperature -40°C~70°C (Non-condensing)
- ◆ Safety Standards..... UL, TUV, RoHS, CE
- ◆ DC Fan Specials..... RD, FG, IP56

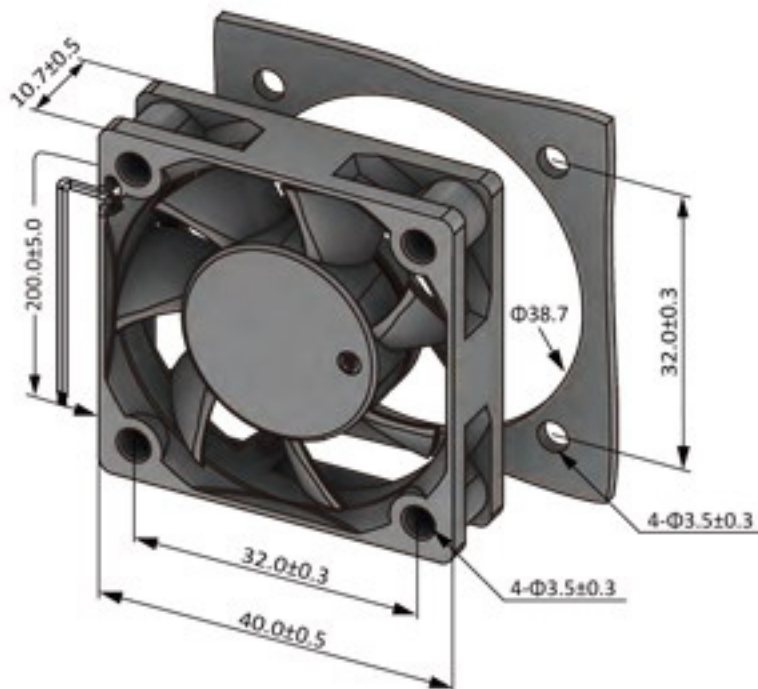


Specifications

Model	Rev	#Bearing Type	Rated Voltage	Operating Voltage	Input Current	Input Power	Speed	Max Air Flow		Max Static Pressure		Noise	Weight
Part No.	XXX	B	VDC	VDC	Amp	Watt	RPM	CFM	m ³ /min	Inch-H ₂ O	Pa	dB-A	g
DA04010#05U	D01	B.S	5	3.5~5.5	0.22	1.10	7000	9.34	0.26	0.20	48.75	32.3	16.0
DA04010#05H	D01	B.S	5	3.5~5.5	0.18	1.10	6500	8.43	0.24	0.17	42.33	30.1	16.0
DA04010#05M	D01	B.S	5	3.5~5.5	0.14	0.70	6000	7.85	0.22	0.15	36.39	28.3	16.0
DA04010#05L	D01	B.S	5	3.5~5.5	0.10	0.50	5000	6.34	0.18	0.10	25.01	24.0	16.0
DA04010#05D	D01	B.S	5	3.5~5.5	0.08	0.40	4000	5.08	0.14	0.07	16.67	20.3	16.0
DA04010#12U	D01	B.S	12	7.0~13.8	0.15	1.80	7000	9.34	0.26	0.20	48.75	32.3	16.0
DA04010#12H	D01	B.S	12	7.0~13.8	0.10	1.20	6500	8.43	0.24	0.17	42.33	30.1	16.0
DA04010#12M	D01	B.S	12	7.0~13.8	0.08	0.96	6000	7.85	0.22	0.15	36.39	28.3	16.0
DA04010#12L	D01	B.S	12	7.0~13.8	0.06	0.72	5000	6.34	0.18	0.10	25.01	24.0	16.0
DA04010#12D	D01	B.S	12	7.0~13.8	0.04	0.48	4000	5.08	0.14	0.07	16.67	20.3	16.0
DA04010#24U	D01	B.S	24	14.0~27.6	0.07	1.68	7000	9.34	0.26	0.20	48.75	32.3	16.0
DA04010#24H	D01	B.S	24	14.0~27.6	0.06	1.44	6500	8.43	0.24	0.17	42.33	30.1	16.0
DA04010#24M	D01	B.S	24	14.0~27.6	0.05	1.20	6000	7.85	0.22	0.15	36.39	28.3	16.0
DA04010#24L	D01	B.S	24	14.0~27.6	0.04	0.96	5000	6.34	0.18	0.10	25.01	24.0	16.0

All model could be customized on voltage or any other reuirements to fit your need.

Dimensions (Unit:mm)



PQ Curve (At Rated Voltage)

