

## 5010

## 50x50x10MM



### General Specifications

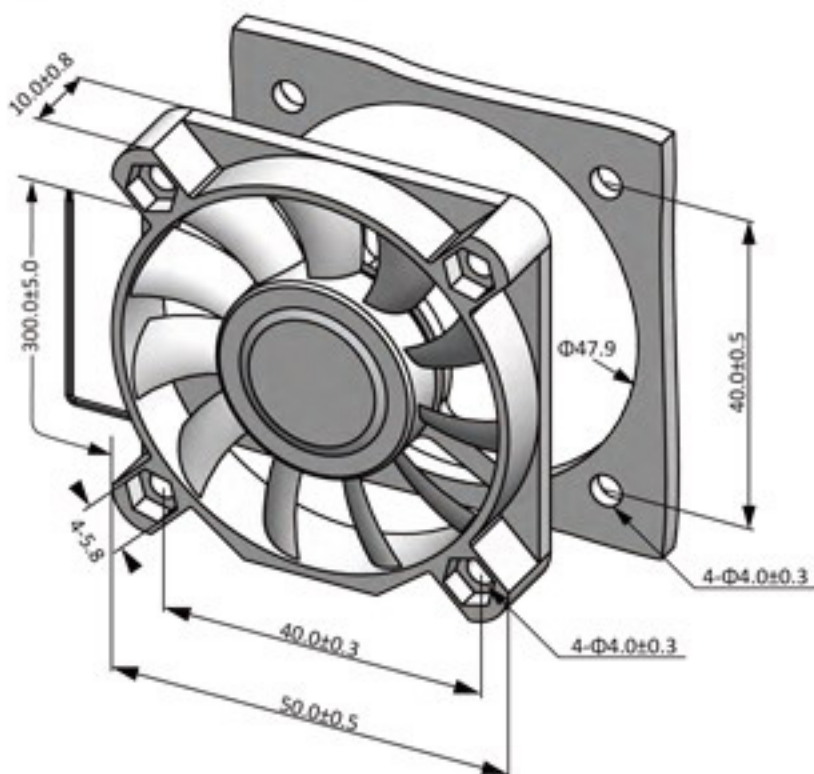
- ◆ Material..... Frame: Plastic (UL94V-0)  
Impeller: Plastic (UL94V-0)  
Lead Wire: UL1007AWG#26 or Equivalent (+) Red, (-) Black
- ◆ Expected Life..... Ball Bearing 70,000hrs (40°C)  
Sleeve Bearing 30,000hrs (40°C)
- ◆ Temperature Range.... Operating Temperature -10°C~70°C (Non-condensing)  
Storage Temperature -40°C~70°C (Non-condensing)
- ◆ Safety Standards..... UL, TUV, RoHS, CE
- ◆ DC Fan Specials..... RD, FG, IP56, PWM

### Specifications

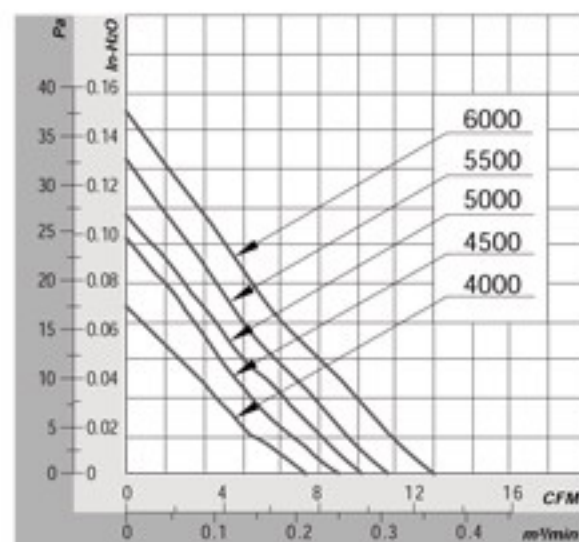
Model	Rev	#Bearing Type	Rated Voltage	Operating Voltage	Input Current	Input Power	Speed	Max Air Flow		Max Static Pressure		Noise	Weight
Part No.	XXX	B	VDC	VDC	Amp	Watt	RPM	CFM	m <sup>3</sup> /min	Inch-H <sub>2</sub> O	Pa	dB-A	g
DA05010#05U		B.5	5	3.5~5.5	0.30	1.50	6000	12.50	0.35	0.15	38.04	36.0	20.0
DA05010#05H		B.5	5	3.5~5.5	0.25	1.25	5500	10.83	0.31	0.13	33.15	34.0	20.0
DA05010#05M		B.5	5	3.5~5.5	0.21	1.05	5000	9.91	0.28	0.11	26.77	31.0	20.0
DA05010#05L		B.5	5	3.5~5.5	0.18	0.90	4500	9.26	0.26	0.10	23.93	28.0	20.0
DA05010#05D		B.5	5	3.5~5.5	0.15	0.75	4000	7.64	0.22	0.07	17.55	26.0	20.0
DA05010#12U		B.5	12	7.0~13.8	0.16	1.92	6000	12.50	0.35	0.15	38.04	36.0	20.0
DA05010#12H		B.5	12	7.0~13.8	0.14	1.68	5500	10.83	0.31	0.13	33.15	34.0	20.0
DA05010#12M		B.5	12	7.0~13.8	0.12	1.44	5000	9.91	0.28	0.11	26.77	31.0	20.0
DA05010#12L		B.5	12	7.0~13.8	0.10	1.20	4500	9.26	0.26	0.10	23.93	28.0	20.0
DA05010#12D		B.5	12	7.0~13.8	0.08	0.96	4000	7.64	0.22	0.07	17.55	26.0	20.0
DA05010#24U		B.5	24	14.0~27.6	0.12	2.88	6000	12.50	0.35	0.15	38.04	36.0	20.0
DA05010#24H		B.5	24	14.0~27.6	0.10	2.40	5500	10.83	0.31	0.13	33.15	34.0	20.0
DA05010#24M		B.5	24	14.0~27.6	0.08	1.92	5000	9.91	0.28	0.11	26.77	31.0	20.0
DA05010#24L		B.5	24	14.0~27.6	0.06	1.44	4500	9.26	0.26	0.10	23.93	28.0	20.0
DA05010#24D		B.5	24	14.0~27.6	0.04	0.96	4000	7.64	0.22	0.07	17.55	26.0	20.0

All model could be customized on voltage or any other requirements to fit your need.

### Dimensions (Unit:mm)



### PQ Curve (At Rated Voltage)





## 5010

## 50x50x10MM

### General Specifications

- ◆ Material..... Frame: Plastic (UL94V-0)  
Impeller: Plastic (UL94V-0)  
Lead Wire: UL1007AWG#26 or Equivalent (+) Red, (-) Black
- ◆ Expected Life..... Ball Bearing 70,000hrs (40°C)  
Sleeve Bearing 30,000hrs (40°C)
- ◆ Temperature Range.... Operating Temperature -10°C~70°C (Non-condensing)  
Storage Temperature -40°C~70°C (Non-condensing)
- ◆ Safety Standards..... UL, TUV, RoHS, CE
- ◆ DC Fan Specials..... RD, FG, IP56, PWM

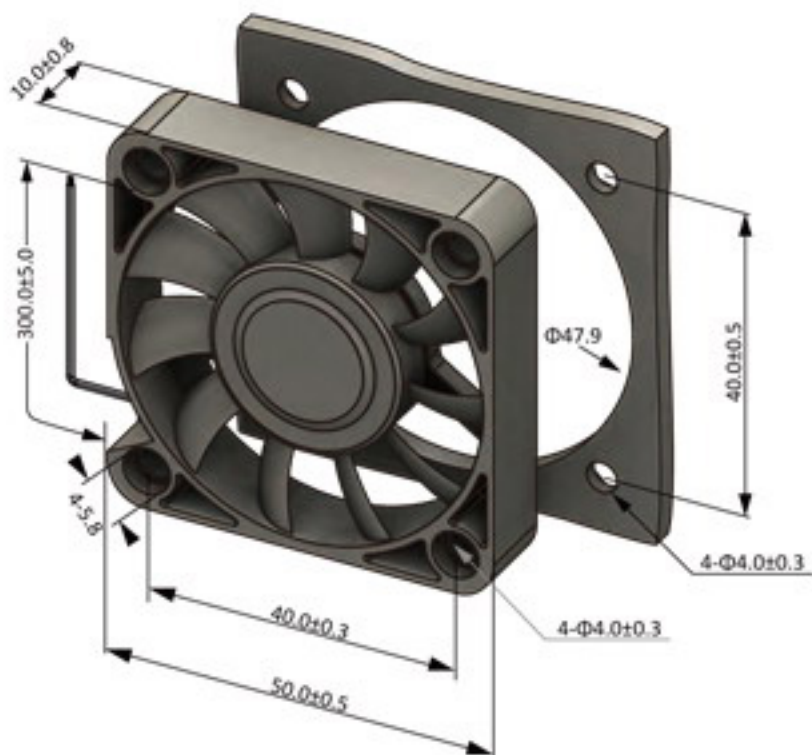


### Specifications

Model	Rev	#Bearing Type	Rated Voltage	Operating Voltage	Input Current	Input Power	Speed	Max Air Flow		Max Static Pressure		Noise	Weight
Part No.	XXX	B	VDC	VDC	Amp	Watt	RPM	CFM	m <sup>3</sup> /min	Inch-H <sub>2</sub> O	Pa	dB-A	g
DA05010#05U	A01	B.5	5	3.5~5.5	0.30	1.50	6000	12.50	0.35	0.15	38.04	36.0	20.0
DA05010#05H	A01	B.5	5	3.5~5.5	0.25	1.25	5500	10.83	0.31	0.13	33.15	34.0	20.0
DA05010#05M	A01	B.5	5	3.5~5.5	0.21	1.05	5000	9.91	0.28	0.11	26.77	31.0	20.0
DA05010#05L	A01	B.5	5	3.5~5.5	0.18	0.90	4500	9.26	0.26	0.10	23.93	28.0	20.0
DA05010#05D	A01	B.5	5	3.5~5.5	0.15	0.75	4000	7.64	0.22	0.07	17.55	26.0	20.0
DA05010#12U	A01	B.5	12	7.0~13.8	0.16	1.92	6000	12.50	0.35	0.15	38.04	36.0	20.0
DA05010#12H	A01	B.5	12	7.0~13.8	0.14	1.68	5500	10.83	0.31	0.13	33.15	34.0	20.0
DA05010#12M	A01	B.5	12	7.0~13.8	0.12	1.44	5000	9.91	0.28	0.11	26.77	31.0	20.0
DA05010#12L	A01	B.5	12	7.0~13.8	0.10	1.20	4500	9.26	0.26	0.10	23.93	28.0	20.0
DA05010#12D	A01	B.5	12	7.0~13.8	0.08	0.96	4000	7.64	0.22	0.07	17.55	26.0	20.0
DA05010#24U	A01	B.5	24	14.0~27.6	0.12	2.88	6000	12.50	0.35	0.15	38.04	36.0	20.0
DA05010#24H	A01	B.5	24	14.0~27.6	0.10	2.40	5500	10.83	0.31	0.13	33.15	34.0	20.0
DA05010#24M	A01	B.5	24	14.0~27.6	0.08	1.92	5000	9.91	0.28	0.11	26.77	31.0	20.0
DA05010#24L	A01	B.5	24	14.0~27.6	0.06	1.44	4500	9.26	0.26	0.10	23.93	28.0	20.0
DA05010#24D	A01	B.5	24	14.0~27.6	0.04	0.96	4000	7.64	0.22	0.07	17.55	26.0	20.0

All model could be customized on voltage or any other requirements to fit your need.

### Dimensions (Unit:mm)



### PQ Curve (At Rated Voltage)

