

5020

50x50x20MM

NEW



General Specifications

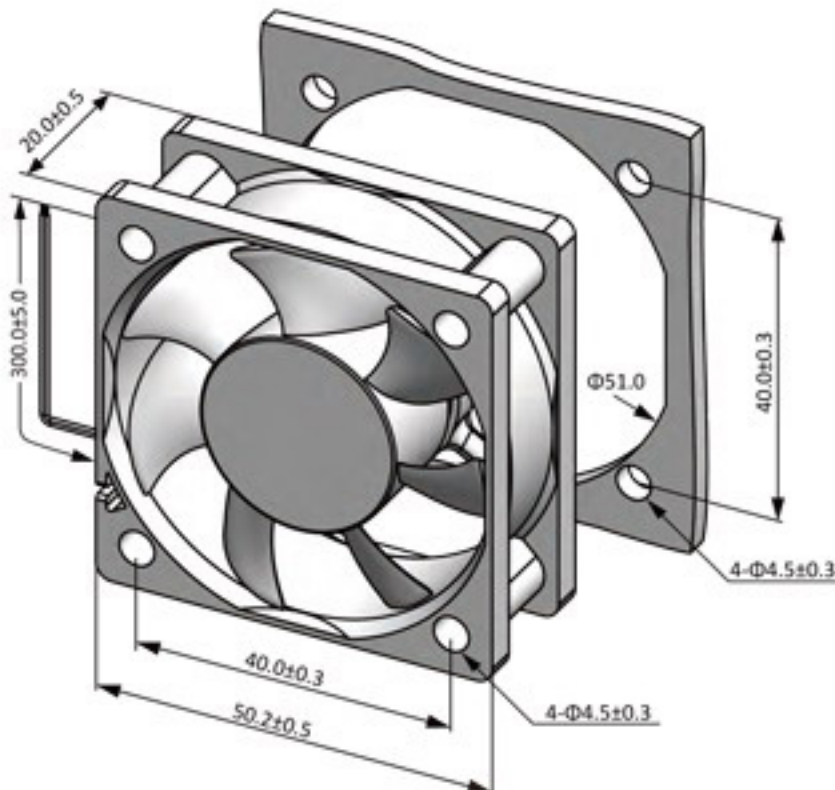
- ◆ Material..... Frame: Plastic (UL94V-0)
Impeller: Plastic (UL94V-0)
Lead Wire: UL1007AWG#26 or Equivalent (+) Red, (-) Black
- ◆ Expected Life..... Ball Bearing 70,000hrs (40°C)
Sleeve Bearing 30,000hrs (40°C)
- ◆ Temperature Range.... Operating Temperature -10°C~70°C (Non-condensing)
Storage Temperature -40°C~70°C (Non-condensing)
- ◆ Safety Standards..... UL, TUV, RoHS, CE
- ◆ DC Fan Specials..... RD, FG, PWM, IP56

Specifications

Model	Rev	#Bearing Type	Rated Voltage	Operating Voltage	Input Current	Input Power	Speed	Max Air Flow		Max Static Pressure		Noise	Weight
Part No.	XXX	B	VDC	VDC	Amp	Watt	RPM	CFM	m ³ /min	Inch-H ₂ O	Pa	dB-A	g
DA05020#05U		B.5	5	3.5~5.5	0.45	2.25	6500	20.31	0.58	0.28	70.58	38.4	32.0
DA05020#05H		B.5	5	3.5~5.5	0.35	2.10	6000	18.82	0.53	0.24	60.09	36.0	32.0
DA05020#05M		B.5	5	3.5~5.5	0.28	1.40	5500	17.08	0.48	0.20	49.90	33.7	32.0
DA05020#05L		B.5	5	3.5~5.5	0.20	1.00	5000	15.49	0.43	0.17	41.37	30.9	32.0
DA05020#05D		B.5	5	3.5~5.5	0.16	0.09	4500	13.67	0.38	0.14	33.62	28.1	32.0
DA05020#12U		B.5	12	7.0~13.8	0.20	2.40	6500	20.31	0.58	0.28	70.58	38.4	32.0
DA05020#12H		B.5	12	7.0~13.8	0.18	2.16	6000	18.82	0.53	0.24	60.09	36.0	32.0
DA05020#12M		B.5	12	7.0~13.8	0.16	1.92	5500	17.08	0.48	0.20	49.90	33.7	32.0
DA05020#12L		B.5	12	7.0~13.8	0.14	1.68	5000	15.49	0.43	0.17	41.37	30.9	32.0
DA05020#12D		B.5	12	7.0~13.8	0.10	1.20	4500	13.67	0.38	0.14	33.62	28.1	32.0
DA05020#24U		B.5	24	14.0~27.6	0.14	3.36	6500	20.31	0.58	0.28	70.58	38.4	32.0
DA05020#24H		B.5	24	14.0~27.6	0.12	2.88	6000	18.82	0.53	0.24	60.09	36.0	32.0
DA05020#24M		B.5	24	14.0~27.6	0.10	2.40	5500	17.08	0.48	0.20	49.90	33.7	32.0
DA05020#24L		B.5	24	14.0~27.6	0.08	1.92	5000	15.49	0.43	0.17	41.37	30.9	32.0
DA05020#24D		B.5	24	14.0~27.6	0.06	1.44	4500	13.67	0.38	0.14	33.62	28.1	32.0

All model could be customized on voltage or any other reuirements to fit your need.

Dimensions (Unit:mm)



PQ Curve (At Rated Voltage)

