

7015

70x70x15MM

General Specifications

- ◆ Material..... Frame: Plastic (UL94V-0)
Impeller: Plastic (UL94V-0)
Lead Wire: UL1007AWG#24 or Equivalent (+) Red, (-) Black
- ◆ Expected Life..... Ball Bearing 70,000hrs (40°C)
Sleeve Bearing 30,000hrs (40°C)
- ◆ Temperature Range.... Operating Temperature -10°C~70°C (Non-condensing)
Storage Temperature -40°C~70°C (Non-condensing)
- ◆ Safety Standards..... UL, TUV, RoHS, CE
- ◆ DC Fan Specials..... RD, FG, IP56

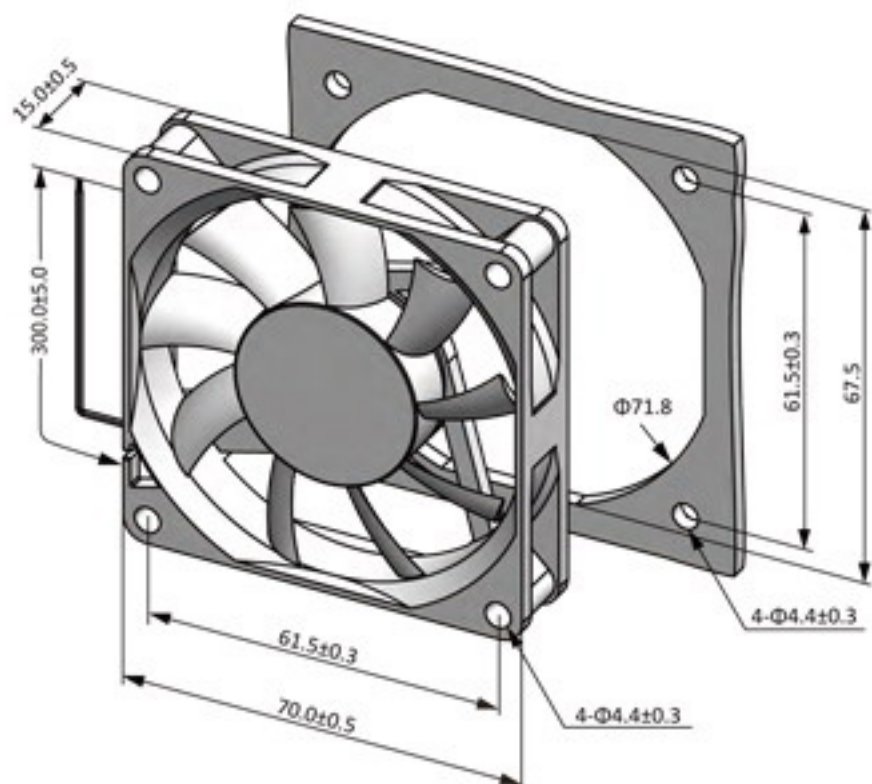


Specifications

Model	Rev	#Bearing Type	Rated Voltage	Operating Voltage	Input Current	Input Power	Speed	Max Air Flow		Max Static Pressure		Noise	Weight
Part No.	XXX	B	VDC	VDC	Amp	Watt	RPM	CFM	m ³ /min	Inch-H ₂ O	Pa	dB-A	g
DA07015#12U		B.S	12	7.0~13.8	0.45	5.40	4500	34.95	0.99	0.21	51.98	41.0	48.0
DA07015#12H		B.S	12	7.0~13.8	0.40	4.80	4000	31.28	0.89	0.16	40.99	36.0	48.0
DA07015#12M		B.S	12	7.0~13.8	0.30	3.60	3500	28.48	0.81	0.14	34.72	33.0	48.0
DA07015#12L		B.S	12	7.0~13.8	0.20	2.40	3000	23.95	0.68	0.10	25.20	28.0	48.0
DA07015#24U		B.S	24	14.0~27.6	0.30	7.20	4500	34.95	0.99	0.21	51.98	41.0	48.0
DA07015#24H		B.S	24	14.0~27.6	0.25	6.00	4000	31.28	0.89	0.16	40.99	36.0	48.0
DA07015#24M		B.S	24	14.0~27.6	0.20	4.80	3500	28.48	0.81	0.14	34.72	33.0	48.0
DA07015#24L		B.S	24	14.0~27.6	0.15	3.60	3000	23.95	0.68	0.10	25.20	28.0	48.0

All model could be customized on voltage or any other requirements to fit your need.

Dimensions (Unit:mm)



PQ Curve (At Rated Voltage)

