

7025

70x70x25MM

General Specifications

- ◆ Material..... Frame: Plastic (UL94V-0)
Impeller: Plastic (UL94V-0)
Lead Wire: UL1007AWG#24 or Equivalent (+) Red, (-) Black
- ◆ Expected Life..... Ball Bearing 70,000hrs (40°C)
Sleeve Bearing 30,000hrs (40°C)
- ◆ Temperature Range.... Operating Temperature -10°C~70°C (Non-condensing)
Storage Temperature -40°C~70°C (Non-condensing)
- ◆ Safety Standards..... UL, TUV, RoHS, CE
- ◆ DC Fan Specials..... RD, FG, PWM, IP56, IP68

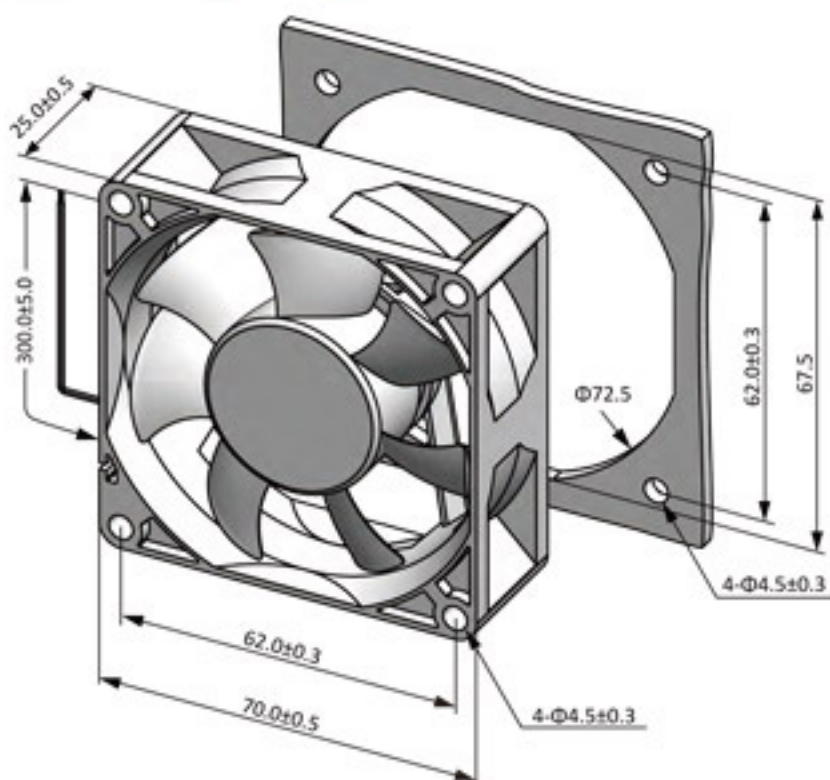


Specifications

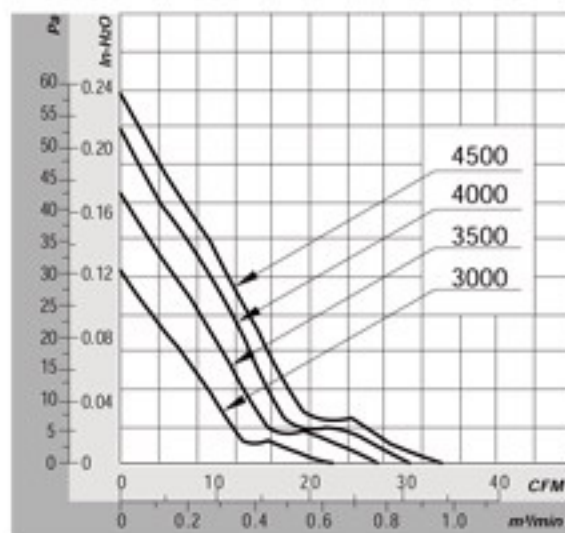
Model	Rev	#Bearing Type	Rated Voltage	Operating Voltage	Input Current	Input Power	Speed	Max Air Flow		Max Static Pressure		Noise	Weight
Part No.	XXX	B	VDC	VDC	Amp	Watt	RPM	CFM	m ³ /min	Inch-H ₂ O	Pa	dB-A	g
DA07025#12U		B.5	12	7.0~13.8	0.30	3.60	4500	33.57	0.95	0.24	59.43	42.0	52.0
DA07025#12H		B.5	12	7.0~13.8	0.25	3.00	4000	31.01	0.88	0.21	52.66	37.0	52.0
DA07025#12M		B.5	12	7.0~13.8	0.20	2.40	3500	27.93	0.79	0.17	42.86	32.0	52.0
DA07025#12L		B.5	12	7.0~13.8	0.15	1.80	3000	23.02	0.65	0.13	31.28	28.0	52.0
DA07025#24U		B.5	24	14.0~27.6	0.20	4.80	4500	33.57	0.95	0.24	59.43	42.0	52.0
DA07025#24H		B.5	24	14.0~27.6	0.16	3.84	4000	31.01	0.88	0.21	52.66	37.0	52.0
DA07025#24M		B.5	24	14.0~27.6	0.12	2.88	3500	27.93	0.79	0.17	42.86	32.0	52.0
DA07025#24L		B.5	24	14.0~27.6	0.08	1.92	3000	23.02	0.65	0.13	31.28	28.0	52.0
DA07025#48U		B.5	48	28.0~56.0	0.07	3.36	4500	33.57	0.95	0.24	59.43	42.0	52.0
DA07025#48H		B.5	48	28.0~56.0	0.05	2.40	4000	31.01	0.88	0.21	52.66	37.0	52.0
DA07025#48M		B.5	48	28.0~56.0	0.04	1.92	3500	27.93	0.79	0.17	42.86	32.0	52.0
DA07025#48L		B.5	48	28.0~56.0	0.03	1.44	3000	23.02	0.65	0.13	31.28	28.0	52.0

All model could be customized on voltage or any other requirements to fit your need.

Dimensions (Unit:mm)



PQ Curve (At Rated Voltage)



7025D 70x70x25MM

DUST PROOF SERIES
NEW

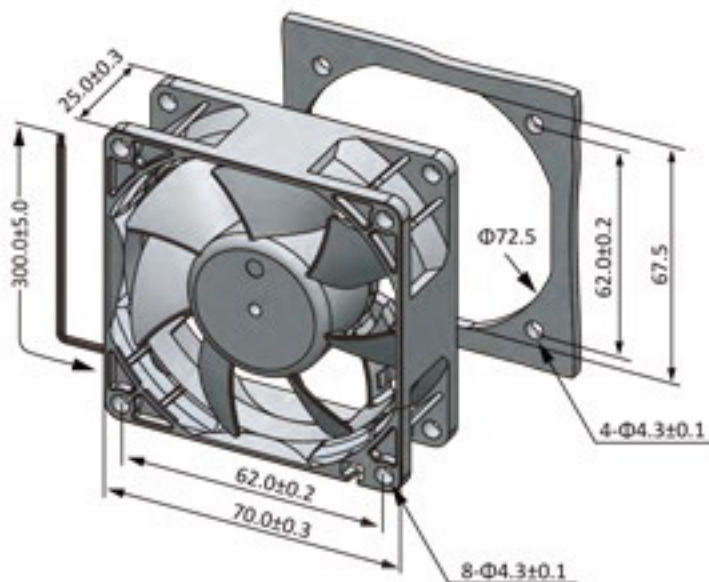
General Specifications

- ◆ Material..... Frame: Plastic (UL94V-0)
Impeller: Plastic (UL94V-0)
Lead Wire: UL1007AWG#24 or Equivalent (+) Red, (-) Black
- ◆ Expected Life..... Ball Bearing 70,000hrs (40°C)
- ◆ Temperature Range.... Operating Temperature -10°C~70°C (Non-condensing)
Storage Temperature -40°C~70°C (Non-condensing)
- ◆ Safety Standards..... UL, TUV, RoHS, CE
- ◆ DC Fan Specials..... RD, FG, PWM, IP56

Specifications

Model	Rev	#Bearing Type	Rated Voltage	Operating Voltage	Input Current	Input Power	Speed	Max Air Flow		Max Static Pressure		Noise	Weight
Part No.	A	B	VDC	VDC	Amp	Watt	RPM	CFM	m ³ /min	Inch-H ₂ O	Pa	dB-A	g
DA07025#12U	F01	B	12	7.0~13.8	0.51	6.16	6000	60.71	1.72	0.51	127.83	49.9	52.0
DA07025#12H	F01	B	12	7.0~13.8	0.28	3.40	5000	50.90	1.44	0.36	89.64	44.2	52.0
DA07025#12M	F01	B	12	7.0~13.8	0.10	1.24	4000	38.47	1.09	0.23	56.73	40.9	52.0
DA07025#12L	F01	B	12	7.0~13.8	0.06	0.70	3000	27.94	0.79	0.13	33.53	35.4	52.0
DA07025#24U	F01	B	24	14.0~27.6	0.30	7.10	6000	60.71	1.72	0.51	127.83	49.9	52.0
DA07025#24H	F01	B	24	14.0~27.6	0.16	3.86	5000	50.90	1.44	0.36	89.64	44.2	52.0
DA07025#24M	F01	B	24	14.0~27.6	0.07	1.72	4000	38.47	1.09	0.23	56.73	40.9	52.0
DA07025#24L	F01	B	24	14.0~27.6	0.04	0.85	3000	27.94	0.79	0.13	33.53	35.4	52.0
DA07025#48U	F01	B	48	28.0~56.0	0.17	8.14	6000	60.71	1.72	0.51	127.83	49.9	52.0
DA07025#48H	F01	B	48	28.0~56.0	0.09	4.44	5000	50.90	1.44	0.36	89.64	44.2	52.0
DA07025#48M	F01	B	48	28.0~56.0	0.05	2.20	4000	38.47	1.09	0.23	56.73	40.9	52.0
DA07025#48L	F01	B	48	28.0~56.0	0.02	1.07	3000	27.94	0.79	0.13	33.53	35.4	52.0

All model could be customized on voltage or any other requirements to fit your need.

Dimensions (Unit:mm)

PQ Curve (At Rated Voltage)
