

8020

80x80x20MM

General Specifications

- ◆ Material..... Frame: Plastic (UL94V-0)
Impeller: Plastic (UL94V-0)
Lead Wire: UL1007AWG#24 or Equivalent (+) Red, (-) Black
- ◆ Expected Life..... Ball Bearing 70,000hrs (40°C)
Sleeve Bearing 30,000hrs (40°C)
- ◆ Temperature Range.... Operating Temperature -10°C~70°C (Non-condensing)
Storage Temperature -40°C~70°C (Non-condensing)
- ◆ Safety Standards..... UL, TUV, RoHS, CE
- ◆ DC Fan Specials..... RD, FG, PWM, IP56

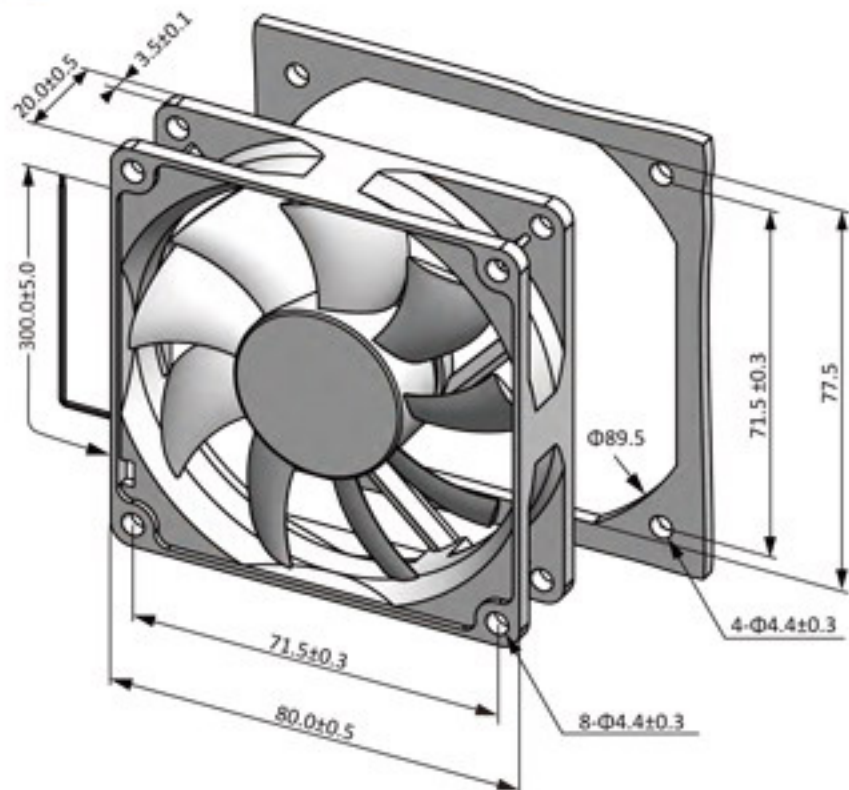


Specifications

Model	Rev	#Bearing Type	Rated Voltage	Operating Voltage	Input Current	Input Power	Speed	Max Air Flow		Max Static Pressure		Noise	Weight
Part No.	XXX	B	VDC	VDC	Amp	Watt	RPM	CFM	m ³ /min	Inch-H ₂ O	Pa	dB-A	g
DA08020#12U		B.S	12	7.0~13.8	0.35	4.20	3500	40.31	1.14	0.14	34.52	35.0	58.0
DA08020#12H		B.S	12	7.0~13.8	0.28	3.36	3000	35.09	0.99	0.11	26.67	31.0	58.0
DA08020#12M		B.S	12	7.0~13.8	0.18	2.16	2500	30.72	0.87	0.08	21.08	25.0	58.0
DA08020#12L		B.S	12	7.0~13.8	0.13	1.56	2000	25.44	0.72	0.06	15.10	22.0	58.0
DA08020#24U		B.S	24	14.0~27.6	0.18	4.32	3500	40.31	1.14	0.14	34.52	35.0	58.0
DA08020#24H		B.S	24	14.0~27.6	0.14	3.36	3000	35.09	0.99	0.11	26.67	31.0	58.0
DA08020#24M		B.S	24	14.0~27.6	0.10	2.40	2500	30.72	0.87	0.08	21.08	25.0	58.0
DA08020#24L		B.S	24	14.0~27.6	0.07	1.68	2000	25.44	0.72	0.06	15.10	22.0	58.0
DA08020#48U		B.S	48	28.0~56.0	0.08	3.84	3500	40.31	1.14	0.14	34.52	35.0	58.0
DA08020#48H		B.S	48	28.0~56.0	0.05	2.40	3000	35.09	0.99	0.11	26.67	31.0	58.0
DA08020#48M		B.S	48	28.0~56.0	0.04	1.92	2500	30.72	0.87	0.08	21.08	25.0	58.0
DA08020#48L		B.S	48	28.0~56.0	0.02	0.96	2000	25.44	0.72	0.06	15.10	22.0	58.0

All model could be customized on voltage or any other requirements to fit your need.

Dimensions (Unit:mm)



PQ Curve (At Rated Voltage)

