

8015

80x80x15MM



General Specifications

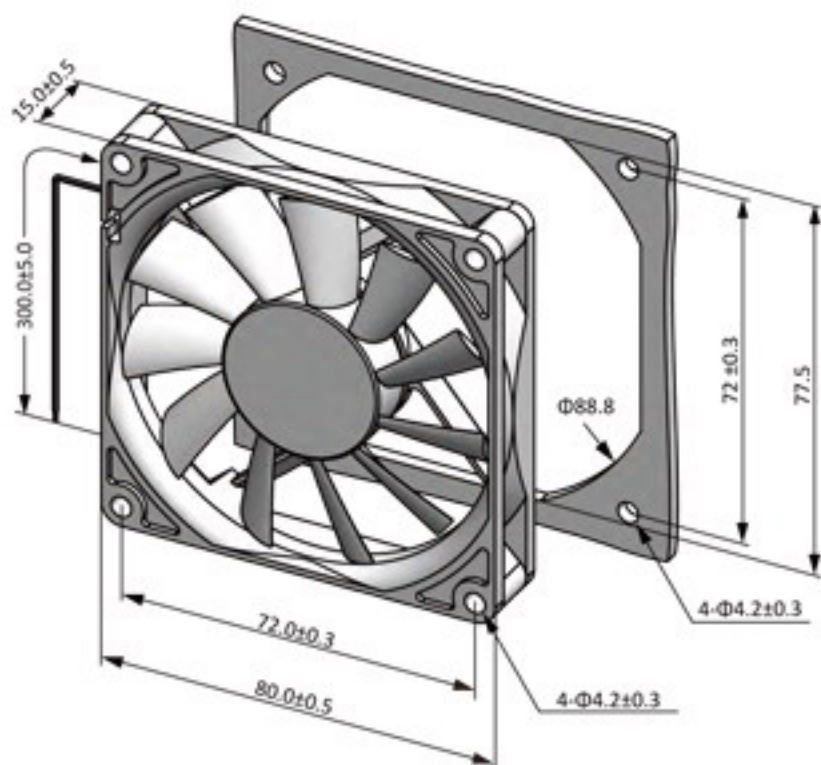
- ◆ Material..... Frame: Plastic (UL94V-0)
Impeller: Plastic (UL94V-0)
Lead Wire: UL1007AWG#24 or Equivalent (+) Red, (-) Black
- ◆ Expected Life..... Ball Bearing 70,000hrs (40°C)
Sleeve Bearing 30,000hrs (40°C)
- ◆ Temperature Range.... Operating Temperature -10°C~70°C (Non-condensing)
Storage Temperature -40°C~70°C (Non-condensing)
- ◆ Safety Standards..... UL, TUV, RoHS, CE
- ◆ DC Fan Specials..... RD, FG, PWM, IP56

Specifications

Model	Rev	#Bearing Type	Rated Voltage	Operating Voltage	Input Current	Input Power	Speed	Max Air Flow		Max Static Pressure		Noise	Weight
Part No.	XXX	B	VDC	VDC	Amp	Watt	RPM	CFM	m ³ /min	Inch-HzO	Pa	dB-A	g
DA08015#05H		B.5	5	3.5~5.5	0.60	3.00	3000	34.33	0.97	0.11	27.16	33.0	54.0
DA08015#05M		B.5	5	3.5~5.5	0.38	1.90	2500	27.45	0.78	0.08	18.73	27.0	54.0
DA08015#05L		B.5	5	3.5~5.5	0.25	1.25	2000	22.07	0.63	0.05	12.55	23.0	54.0
DA08015#12U		B.5	12	7.0~13.8	0.40	4.80	3500	38.52	1.09	0.15	37.35	35.0	54.0
DA08015#12H		B.5	12	7.0~13.8	0.30	3.60	3000	34.33	0.97	0.11	27.16	33.0	54.0
DA08015#12M		B.5	12	7.0~13.8	0.20	2.40	2500	27.45	0.78	0.08	18.73	27.0	54.0
DA08015#12L		B.5	12	7.0~13.8	0.12	1.44	2000	22.07	0.63	0.05	12.55	23.0	54.0
DA08015#24U		B.5	24	14.0~27.6	0.20	4.80	3500	38.52	1.09	0.15	37.35	35.0	54.0
DA08015#24H		B.5	24	14.0~27.6	0.18	4.32	3000	34.33	0.97	0.11	27.16	33.0	54.0
DA08015#24M		B.5	24	14.0~27.6	0.15	3.60	2500	27.45	0.78	0.08	18.73	27.0	54.0
DA08015#24L		B.5	24	14.0~27.6	0.10	2.40	2000	22.07	0.63	0.05	12.55	23.0	54.0

All model could be customized on voltage or any other requirements to fit your need.

Dimensions (Unit:mm)



PQ Curve (At Rated Voltage)

