

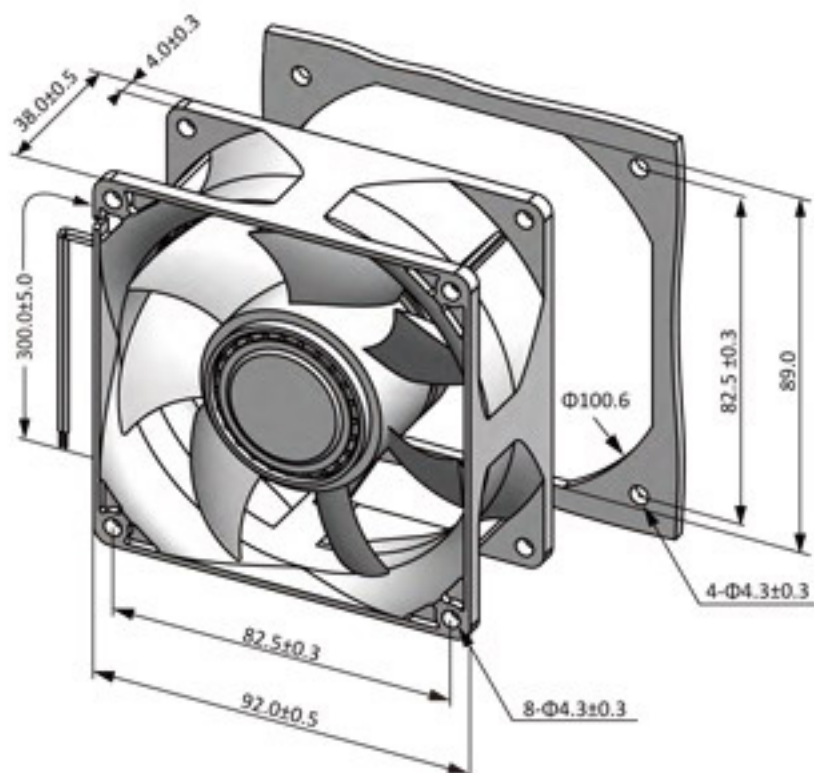
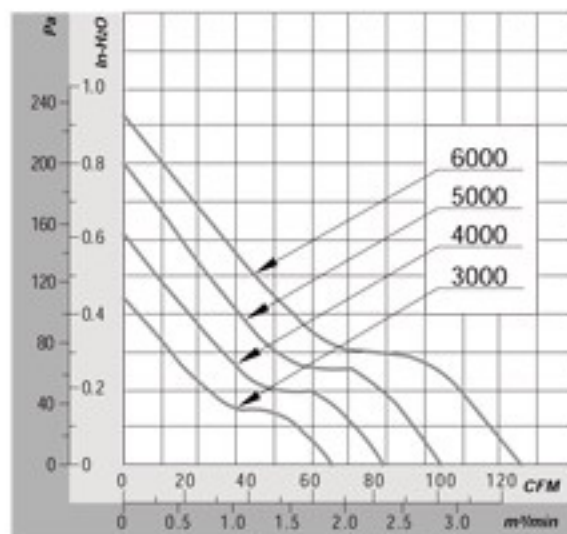
9238
92x92x38MM
General Specifications

- ◆ Material..... Frame: Plastic (UL94V-0)
Impeller: Plastic (UL94V-0)
Lead Wire: UL1007AWG#24 or Equivalent (+) Red, (-) Black
- ◆ Expected Life..... Ball Bearing 70,000hrs (40°C)
- ◆ Temperature Range.... Operating Temperature -10°C~70°C (Non-condensing)
Storage Temperature -40°C~70°C (Non-condensing)
- ◆ Safety Standards..... UL, TUV, RoHS, CE
- ◆ DC Fan Specials..... RD, FG, PWM, IP56


Specifications

Model	Rev	#Bearing Type	Rated Voltage	Operating Voltage	Input Current	Input Power	Speed	Max Air Flow		Max Static Pressure		Noise	Weight
Part No.	XXX	B	VDC	VDC	Amp	Watt	RPM	CFM	m ³ /min	Inch-H ₂ O	Pa	dB-A	g
DA09238#12U		B	12	7.0~13.8	2.00	24.00	6000	125.10	3.54	0.93	231.35	63.0	245.0
DA09238#12H		B	12	7.0~13.8	1.60	19.20	5000	101.92	2.89	0.82	204.18	55.0	245.0
DA09238#12M		B	12	7.0~13.8	1.30	15.60	4000	83.31	2.36	0.61	151.89	52.0	245.0
DA09238#12L		B	12	7.0~13.8	1.10	13.20	3000	67.23	1.90	0.44	109.56	49.0	245.0
DA09238#24U		B	24	14.0~27.6	1.00	24.00	6000	125.10	3.54	0.93	231.35	63.0	245.0
DA09238#24H		B	24	14.0~27.6	0.80	19.20	5000	101.92	2.89	0.82	204.18	55.0	245.0
DA09238#24M		B	24	14.0~27.6	0.60	14.40	4000	83.31	2.36	0.61	151.89	52.0	245.0
DA09238#24L		B	24	14.0~27.6	0.50	12.00	3000	67.23	1.90	0.44	109.56	49.0	245.0
DA09238#48U		B	48	28.0~56.0	0.50	24.00	6000	125.10	3.54	0.93	231.35	63.0	245.0
DA09238#48H		B	48	28.0~56.0	0.40	19.20	5000	101.92	2.89	0.82	204.18	55.0	245.0
DA09238#48M		B	48	28.0~56.0	0.30	14.40	4000	83.31	2.36	0.61	151.89	52.0	245.0
DA09238#48L		B	48	28.0~56.0	0.25	12.00	3000	67.23	1.90	0.44	109.56	49.0	245.0

All model could be customized on voltage or any other requirements to fit your need.

Dimensions (Unit:mm)

PQ Curve (At Rated Voltage)


9238Z 92x92x38MM



General Specifications

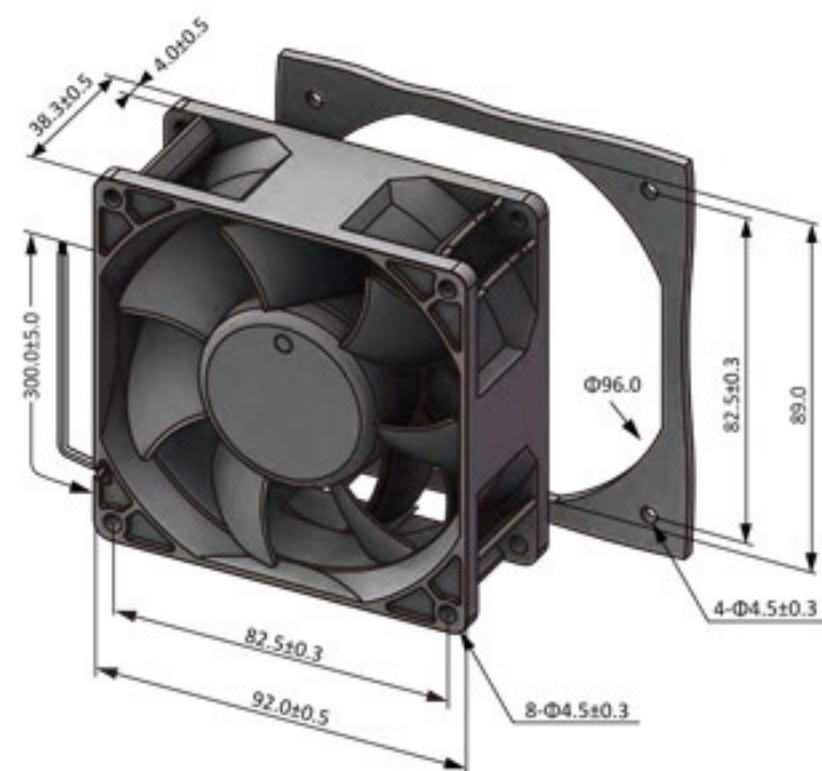
- ◆ Material..... Frame: Plastic (UL94V-0)
Impeller: Plastic (UL94V-0)
Lead Wire: UL1007AWG#24 or Equivalent (+) Red, (-) Black
- ◆ Expected Life..... Ball Bearing 70,000hrs (40°C)
- ◆ Temperature Range.... Operating Temperature -10°C~70°C (Non-condensing)
Storage Temperature -40°C~70°C (Non-condensing)
- ◆ Safety Standards..... UL, TUV, RoHS, CE
- ◆ DC Fan Specials..... RD, FG, PWM, Temperature Control, IP56,IP68

Specifications

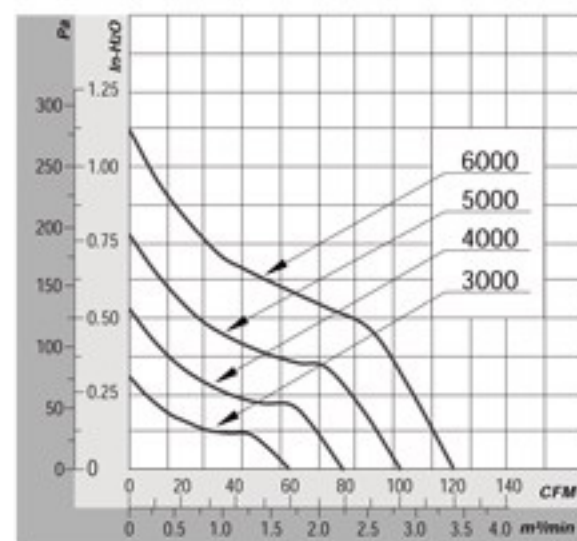
Model	Rev	#Bearing Type	Rated Voltage	Operating Voltage	Input Current	Input Power	Speed	Max Air Flow		Max Static Pressure		Noise	Weight
Part No.	XXX	B	VDC	VDC	Amp	Watt	RPM	CFM	m ³ /min	Inch-H ₂ O	Pa	dB-A	g
DZ09238#12U	B01	B	12	7.0~13.8	2.50	30.00	6000	119.96	3.40	1.12	279.53	57.6	166
DZ09238#12H	B01	B	12	7.0~13.8	1.80	21.60	5000	100.32	2.84	0.78	195.18	52.8	166
DZ09238#12M	B01	B	12	7.0~13.8	1.20	14.40	4000	79.61	2.25	0.52	130.45	45.7	166
DZ09238#12L	B01	B	12	7.0~13.8	0.90	10.80	3000	59.57	1.69	0.30	75.52	39.5	166
DZ09238#24U	B01	B	24	14.0~27.6	1.50	30.00	6000	119.96	3.40	1.12	279.53	61.0	166
DZ09238#24H	B01	B	24	14.0~27.6	1.00	21.60	5000	100.32	2.84	0.78	195.18	56.0	166
DZ09238#24M	B01	B	24	14.0~27.6	0.80	14.40	4000	79.61	2.25	0.52	130.45	50.0	166
DZ09238#24L	B01	B	24	14.0~27.6	0.60	10.80	3000	59.57	1.69	0.30	75.52	45.0	166
DZ09238#48U	B01	B	48	28.0~56.0	0.80	30.00	6000	119.96	3.40	1.12	279.53	61.0	166
DZ09238#48H	B01	B	48	28.0~56.0	0.60	21.60	5000	100.32	2.84	0.78	195.18	56.0	166
DZ09238#48M	B01	B	48	28.0~56.0	0.40	14.40	4000	79.61	2.25	0.52	130.45	50.0	166
DZ09238#48L	B01	B	48	28.0~56.0	0.30	10.80	3000	59.57	1.69	0.30	75.52	45.0	166

All model could be customized on voltage or any other requirements to fit your need.

Dimensions (Unit:mm)



PQ Curve (At Rated Voltage)



9238Z

92x92x38MM

General Specifications

- ◆ Material..... Frame: Plastic (UL94V-0)
Impeller: Plastic (UL94V-0)
Lead Wire: UL1007AWG#24 or Equivalent (+) Red, (-) Black
- ◆ Expected Life..... Ball Bearing 70,000hrs (40°C)
- ◆ Temperature Range.... Operating Temperature -10°C~70°C (Non-condensing)
Storage Temperature -40°C~70°C (Non-condensing)
- ◆ Safety Standards..... UL, TUV, RoHS, CE
- ◆ DC Fan Specials..... RD, FG, PWM, Temperature Control, IP56,IP68

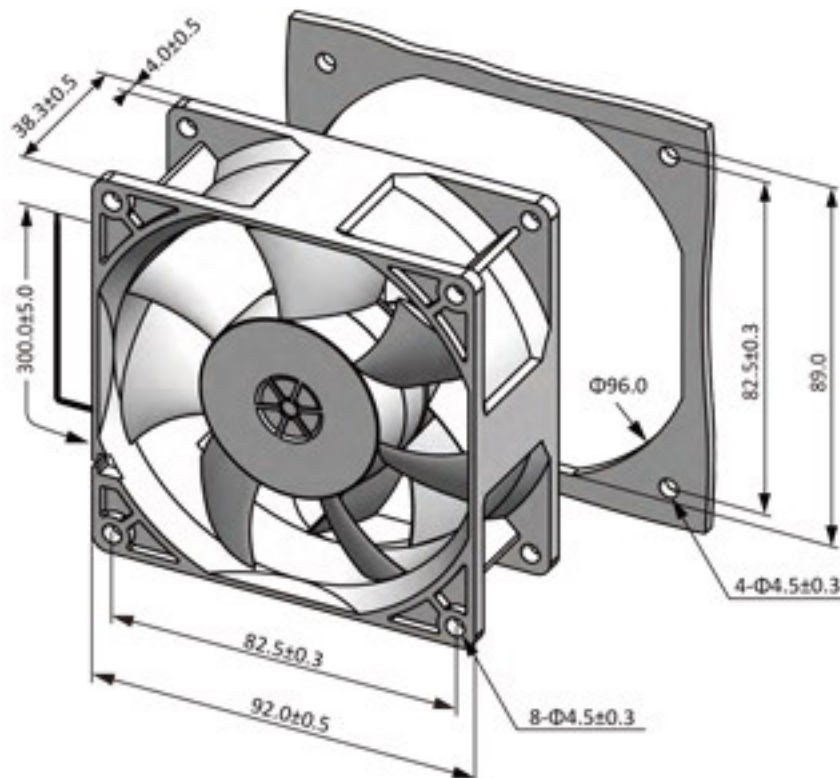


Specifications

Model	Rev	#Bearing Type	Rated Voltage	Operating Voltage	Input Current	Input Power	Speed	Max Air Flow		Max Static Pressure		Noise	Weight
Part No.	XXX	B	VDC	VDC	Amp	Watt	RPM	CFM	m ³ /min	Inch-H ₂ O	Pa	dB-A	g
DZ09238#12U	B01	B	12	7.0~13.8	2.50	30.00	6000	139.87	3.96	0.96	238.79	61.0	166
DZ09238#12H	B01	B	12	7.0~13.8	1.80	21.60	5500	124.56	3.53	0.79	196.23	56.0	166
DZ09238#12M	B01	B	12	7.0~13.8	1.20	14.40	5000	115.09	3.26	0.71	176.52	50.0	166
DZ09238#12L	B01	B	12	7.0~13.8	0.90	10.80	4500	102.73	2.91	0.58	145.04	45.0	166
DZ09238#24U	B01	B	24	14.0~27.6	1.50	36.00	6000	139.87	3.96	0.96	238.79	61.0	166
DZ09238#24H	B01	B	24	14.0~27.6	1.00	24.00	5500	124.56	3.53	0.79	196.23	56.0	166
DZ09238#24M	B01	B	24	14.0~27.6	0.80	19.20	5000	115.09	3.26	0.71	176.52	50.0	166
DZ09238#24L	B01	B	24	14.0~27.6	0.60	14.40	4500	102.73	2.91	0.58	145.04	45.0	166
DZ09238#48U	B01	B	48	28.0~56.0	0.80	38.40	6000	139.87	3.96	0.96	238.79	61.0	166
DZ09238#48H	B01	B	48	28.0~56.0	0.60	28.80	5500	124.56	3.53	0.79	196.23	56.0	166
DZ09238#48M	B01	B	48	28.0~56.0	0.40	19.20	5000	115.09	3.26	0.71	176.52	50.0	166
DZ09238#48L	B01	B	48	28.0~56.0	0.30	14.40	4500	102.73	2.91	0.58	145.04	45.0	166

All model could be customized on voltage or any other reuirements to fit your need.

Dimensions (Unit:mm)



PQ Curve (At Rated Voltage)

