

## 12032 120x120x32MM

### General Specifications

- ◆ Material..... Frame: Plastic (UL94V-0)  
Impeller: Plastic (UL94V-0)  
Lead Wire: UL1007AWG#24 or Equivalent (+) Red, (-) Black
- ◆ Expected Life..... Ball Bearing 70,000hrs (40°C)
- ◆ Temperature Range.... Operating Temperature -10°C~70°C (Non-condensing)  
Storage Temperature -40°C~70°C (Non-condensing)
- ◆ Safety Standards..... UL, TUV, RoHS, CE
- ◆ DC Fan Specials..... RD, FG, PWM, IP56

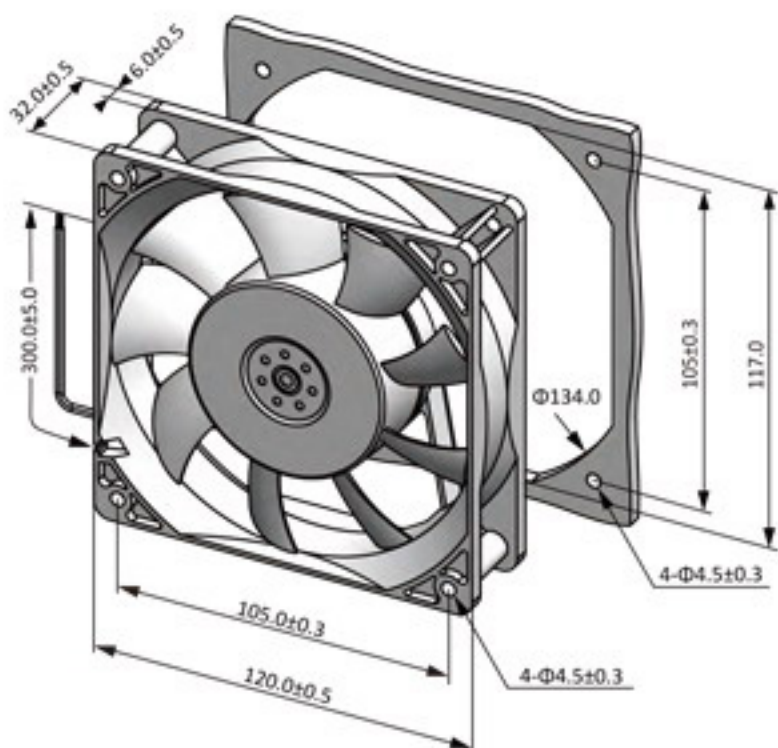


### Specifications

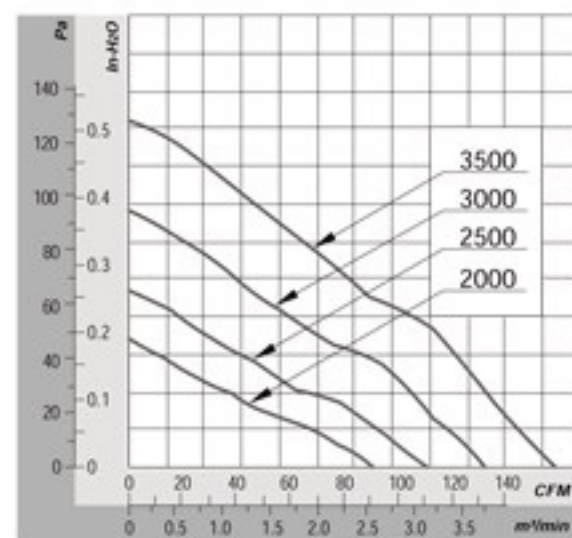
| Model       | Rev | #Bearing Type | Rated Voltage | Operating Voltage | Input Current | Input Power | Speed | Max Air Flow |                     | Max Static Pressure   |        | Noise | Weight |
|-------------|-----|---------------|---------------|-------------------|---------------|-------------|-------|--------------|---------------------|-----------------------|--------|-------|--------|
| Part No.    | XXX | B             | VDC           | VDC               | Amp           | Watt        | RPM   | CFM          | m <sup>3</sup> /min | Inch-H <sub>2</sub> O | Pa     | dB-A  | g      |
| DA12032#12U |     | B             | 12            | 7.0~13.8          | 2.00          | 24.00       | 3500  | 158.22       | 4.48                | 0.51                  | 127.39 | 50.0  | 237    |
| DA12032#12H |     | B             | 12            | 7.0~13.8          | 1.00          | 12.00       | 3000  | 134.90       | 3.82                | 0.38                  | 95.12  | 46.0  | 237    |
| DA12032#12M |     | B             | 12            | 7.0~13.8          | 0.80          | 9.60        | 2500  | 110.90       | 3.14                | 0.26                  | 64.92  | 40.0  | 237    |
| DA12032#12L |     | B             | 12            | 7.0~13.8          | 0.50          | 6.00        | 2000  | 91.15        | 2.58                | 0.18                  | 45.60  | 33.0  | 237    |
| DA12032#24U |     | B             | 24            | 14.0~27.6         | 1.00          | 24.00       | 3500  | 158.22       | 4.48                | 0.51                  | 127.39 | 50.0  | 237    |
| DA12032#24H |     | B             | 24            | 14.0~27.6         | 0.70          | 16.80       | 3000  | 134.90       | 3.82                | 0.38                  | 95.12  | 46.0  | 237    |
| DA12032#24M |     | B             | 24            | 14.0~27.6         | 0.50          | 12.00       | 2500  | 110.90       | 3.14                | 0.26                  | 64.92  | 40.0  | 237    |
| DA12032#24L |     | B             | 24            | 14.0~27.6         | 0.30          | 7.20        | 2000  | 91.15        | 2.58                | 0.18                  | 45.60  | 33.0  | 237    |
| DA12032#48U |     | B             | 48            | 28.0~56.0         | 0.60          | 28.80       | 3500  | 158.22       | 4.48                | 0.51                  | 127.39 | 50.0  | 237    |
| DA12032#48H |     | B             | 48            | 28.0~56.0         | 0.45          | 21.60       | 3000  | 134.90       | 3.82                | 0.38                  | 95.12  | 46.0  | 237    |
| DA12032#48M |     | B             | 48            | 28.0~56.0         | 0.25          | 12.00       | 2500  | 110.90       | 3.14                | 0.26                  | 64.92  | 40.0  | 237    |
| DA12032#48L |     | B             | 48            | 28.0~56.0         | 0.15          | 7.20        | 2000  | 91.15        | 2.58                | 0.18                  | 45.60  | 33.0  | 237    |

All model could be customized on voltage or any other requirements to fit your need.

### Dimensions (Unit:mm)



### PQ Curve (At Rated Voltage)



## 12032 120x120x32MM

**DUST PROOF SERIES**

**NEW**



### General Specifications

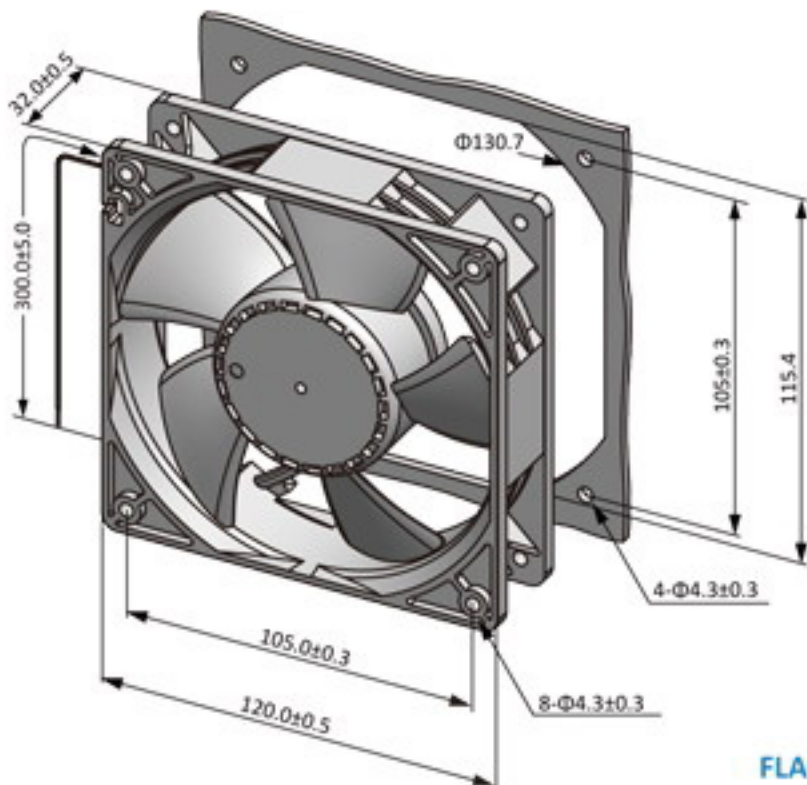
- Material..... Frame: Plastic (UL94V-0)  
Impeller: Plastic (UL94V-0)  
Lead Wire: UL1007AWG#24 or Equivalent (+) Red, (-) Black
- Expected Life..... Ball Bearing 70,000hrs (40°C)  
Sleeve Bearing 30,000hrs (40°C)
- Temperature Range.... Operating Temperature -10°C~70°C (Non-condensing)  
Storage Temperature -40°C~70°C (Non-condensing)
- Safety Standards..... UL, TUV, RoHS, CE
- DC Fan Specials..... RD, FG, PWM

### Specifications

| Model       | Rev | #Bearing Type | Rated Voltage | Operating Voltage | Input Current | Input Power | Speed | Max Air Flow |                     | Max Static Pressure   |        | Noise | Weight |
|-------------|-----|---------------|---------------|-------------------|---------------|-------------|-------|--------------|---------------------|-----------------------|--------|-------|--------|
| Part No.    | A   | B.S           | VDC           | VDC               | Amp           | Watt        | RPM   | CFM          | m <sup>3</sup> /min | Inch-H <sub>2</sub> O | Pa     | dB-A  | g      |
| DA12032B12U | F01 | B             | 12            | 7.0~13.8          | 2.00          | 24.00       | 5500  | 168.90       | 4.78                | 1.20                  | 298.90 | 59.9  | 164    |
| DA12032B12H | F01 | B             | 12            | 7.0~13.8          | 1.00          | 12.00       | 5000  | 154.53       | 4.38                | 0.99                  | 245.98 | 57.7  | 164    |
| DA12032B12M | F01 | B             | 12            | 7.0~13.8          | 0.80          | 9.60        | 4500  | 138.30       | 4.12                | 0.83                  | 206.78 | 54.9  | 164    |
| DA12032B12L | F01 | B             | 12            | 7.0~13.8          | 0.50          | 6.00        | 4000  | 121.83       | 3.92                | 0.67                  | 165.62 | 52.3  | 164    |
| DA12032B24U | F01 | B             | 24            | 14.0~27.6         | 1.00          | 24.00       | 5500  | 168.90       | 4.78                | 1.20                  | 298.9  | 59.9  | 164    |
| DA12032B24H | F01 | B             | 24            | 14.0~27.6         | 0.70          | 16.80       | 5000  | 154.53       | 4.38                | 0.99                  | 245.98 | 57.7  | 164    |
| DA12032B24M | F01 | B             | 24            | 14.0~27.6         | 0.50          | 12.00       | 4500  | 138.30       | 4.12                | 0.83                  | 206.78 | 54.9  | 164    |
| DA12032B24L | F01 | B             | 24            | 14.0~27.6         | 0.30          | 7.20        | 4000  | 121.83       | 3.92                | 0.67                  | 165.62 | 52.3  | 164    |
| DA12032B48U | F01 | B             | 48            | 28.0~56.0         | 0.60          | 28.80       | 5500  | 168.90       | 4.78                | 1.20                  | 298.90 | 59.9  | 164    |
| DA12032B48H | F01 | B             | 48            | 28.0~56.0         | 0.45          | 21.60       | 5000  | 154.53       | 4.38                | 0.99                  | 245.98 | 57.7  | 164    |
| DA12032B48M | F01 | B             | 48            | 28.0~56.0         | 0.25          | 12.00       | 4500  | 138.30       | 4.12                | 0.83                  | 206.78 | 54.9  | 164    |
| DA12032B48L | F01 | B             | 48            | 28.0~56.0         | 0.15          | 7.20        | 4000  | 121.83       | 3.92                | 0.67                  | 165.62 | 52.3  | 164    |

All model could be customized on voltage or any other reuirements to fit your need.

### Dimensions (Unit:mm)



FLANGE OR RIB TYPE

### PQ Curve (At Rated Voltage)

