

## 25489

## 254x254x89MM



### General Specifications

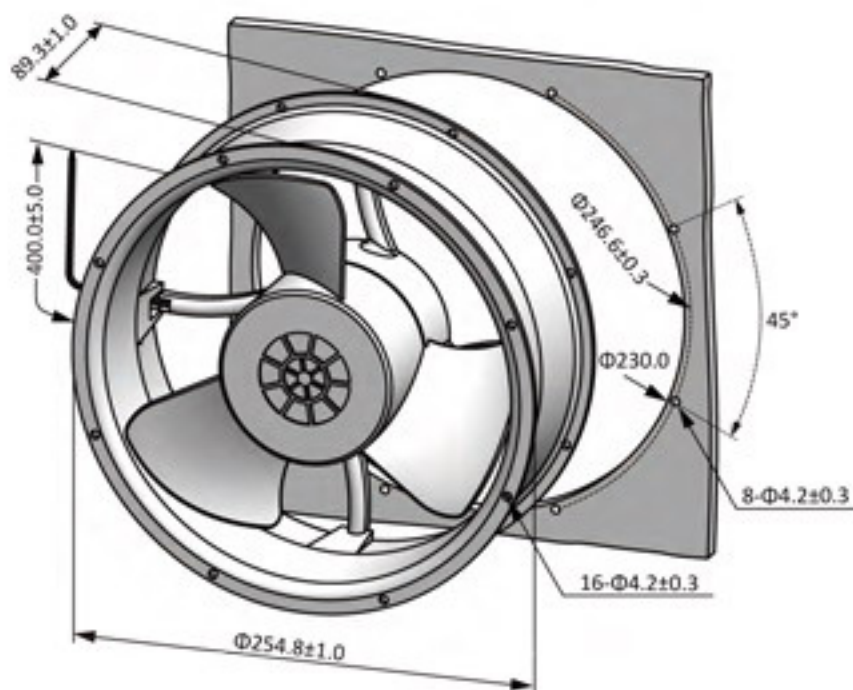
- ◆ Material..... Frame: Aluminum Alloy, Painted black  
Impeller: Plastic (UL94V-0)  
Lead Wire: UL1007AWG#22 or Equivalent (+) Red, (-) Black
- ◆ Expected Life..... Ball Bearing 50,000hrs (40°C)
- ◆ Temperature Range.... Operating Temperature -10°C~70°C (Non-condensing)  
Storage Temperature -40°C~70°C (Non-condensing)
- ◆ Safety Standards..... UL, TUV, RoHS, CE
- ◆ DC Fan Specials..... RD, FG, PWM, Temperature Control, IP56

### Specifications

Model	Rev	#Bearing Type	Rated Voltage	Operating Voltage	Input Current	Input Power	Speed	Max Air Flow		Max Static Pressure		Noise	Weight
Part No.	XXX	B	VDC	VDC	Amp	Watt	RPM	CFM	m <sup>3</sup> /min	Inch-H <sub>2</sub> O	Pa	dB-A	g
DA25489#24H		B	24	14.0~27.6	3.50	84.00	2600	890.00	25.21	1.01	251.58	68.0	2140
DA25489#24M		B	24	14.0~27.6	2.20	52.80	2100	718.85	20.36	0.82	204.25	55.0	2140
DA25489#24L		B	24	14.0~27.6	1.50	36.00	1600	547.69	15.51	0.62	154.44	42.0	2140
DA25489#48H		B	48	28.0~56.0	2.00	96.00	2600	890.00	25.21	1.01	251.58	68.0	2140
DA25489#48M		B	48	28.0~56.0	1.20	57.60	2100	718.85	20.36	0.82	204.25	55.0	2140
DA25489#48L		B	48	28.0~56.0	0.80	38.40	1600	547.69	15.51	0.62	154.44	42.0	2140

All model could be customized on voltage or any other requirements to fit your need.

### Dimensions (Unit:mm)



### PQ Curve (At Rated Voltage)

