

4510

45x45x10MM



General Specifications

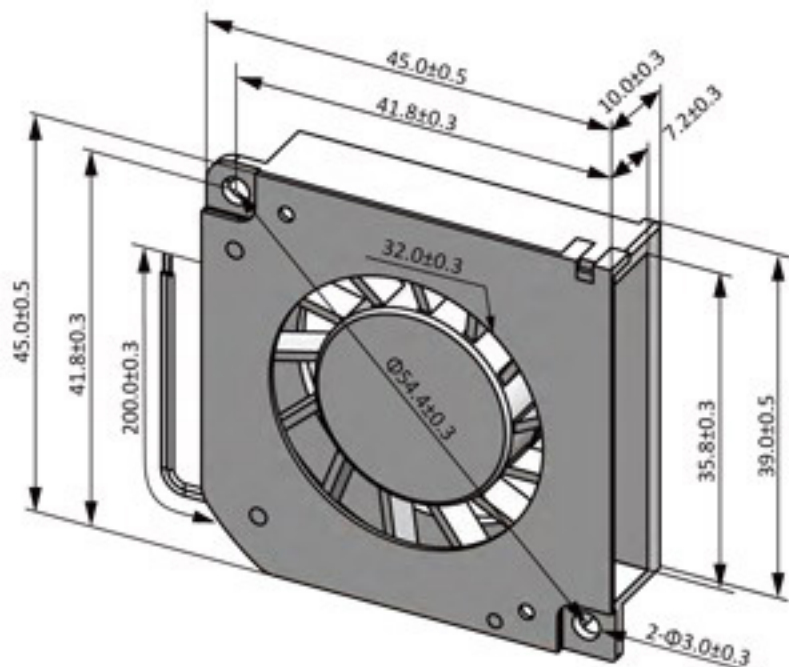
- ◆ Material..... Frame: Plastic (UL94V-0)
Impeller: Plastic (UL94V-0)
Lead Wire: UL1571AWG#28 or Equivalent (+) Red, (-) Black
- ◆ Expected Life..... Ball Bearing 70,000hrs (40°C)
Sleeve Bearing 30,000hrs (40°C)
- ◆ Temperature Range.... Operating Temperature -10°C~70°C (Non-condensing)
Storage Temperature -40°C~70°C (Non-condensing)
- ◆ Safety Standards..... UL, TUV, RoHS, CE
- ◆ DC Fan Specials..... RD, FG, PWM, IP56

Specifications

Model	Rev	#Bearing Type	Rated Voltage	Operating Voltage	Input Current	Input Power	Speed	Max Air Flow		Max Static Pressure		Noise	Weight
Part No.	XXX	B	VDC	VDC	Amp	Watt	RPM	CFM	m ³ /min	Inch-H ₂ O	Pa	dB-A	g
DB04510#05H		B.S	5	3.5~5.5	0.30	1.50	5500	1.88	0.05	0.25	62.25	32.0	28.0
DB04510#05M		B.S	5	3.5~5.5	0.25	1.25	5000	1.67	0.05	0.24	59.76	29.0	28.0
DB04510#05L		B.S	5	3.5~5.5	0.20	1.00	4500	1.50	0.04	0.20	49.80	27.0	28.0
DB04510#05D		B.S	5	3.5~5.5	0.15	0.75	4000	1.21	0.03	0.15	37.35	25.0	28.0
DB04510#12H		B.S	12	7.0~13.8	0.15	1.50	5500	1.88	0.05	0.25	62.25	32.0	28.0
DB04510#12M		B.S	12	7.0~13.8	0.12	1.44	5000	1.67	0.05	0.24	59.76	29.0	28.0
DB04510#12L		B.S	12	7.0~13.8	0.10	1.20	4500	1.50	0.04	0.20	49.80	27.0	28.0
DB04510#12D		B.S	12	7.0~13.8	0.08	0.96	4000	1.21	0.03	0.15	37.35	25.0	28.0

All model could be customized on voltage or any other requirements to fit your need.

Dimensions (Unit:mm)



PQ Curve (At Rated Voltage)

