

7525

77x73x25MM

General Specifications

- ◆ Material..... Frame: Plastic (UL94V-0)
Impeller: Plastic (UL94V-0)
Lead Wire: UL1007AWG#24 or Equivalent (+) Red, (-) Black
- ◆ Expected Life..... Ball Bearing 70,000hrs (40°C)
Sleeve Bearing 30,000hrs (40°C)
- ◆ Temperature Range... Operating Temperature -10°C~70°C (Non-condensing)
Storage Temperature -40°C~70°C (Non-condensing)
- ◆ Safety Standards..... UL, TUV, RoHS, CE
- ◆ DC Fan Specials..... RD, FG, PWM, IP56

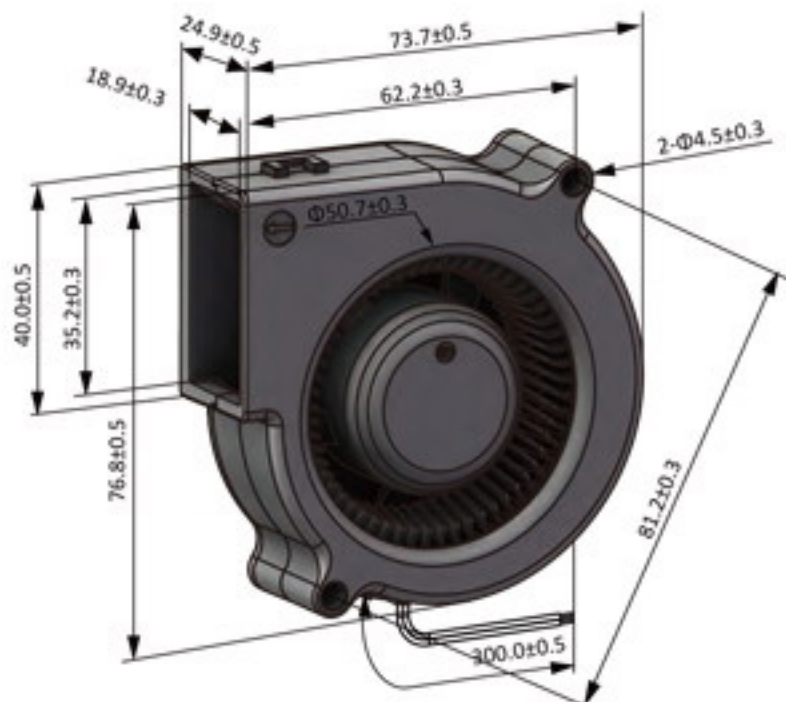


Specifications

Model	Rev	#Bearing Type	Rated Voltage	Operating Voltage	Input Current	Input Power	Speed	Max Air Flow		Max Static Pressure		Noise	Weight
Part No.	XXX	B	VDC	VDC	Amp	Watt	RPM	CFM	m ³ /min	Inch-H ₂ O	Pa	dB-A	g
DB07525#05M		B.5	5	3.5~5.5	1.20	6.00	4000	10.79	0.31	0.54	135.35	42.5	41.0
DB07525#05L		B.5	5	3.5~5.5	0.70	3.50	3500	9.35	0.26	0.39	97.88	42.5	41.0
DB07525#12H		B.5	12	7.0~13.8	0.60	7.20	4500	12.08	0.34	0.72	178.51	46.9	41.0
DB07525#12M		B.5	12	7.0~13.8	0.50	6.00	4000	10.79	0.31	0.54	135.35	42.5	41.0
DB07525#12L		B.5	12	7.0~13.8	0.40	4.80	3500	9.35	0.26	0.39	97.88	40.2	41.0
DB07525#24H		B.5	24	14.0~27.6	0.30	7.20	4500	12.08	0.34	0.72	178.51	46.9	41.0
DB07525#24M		B.5	24	14.0~27.6	0.25	6.00	4000	10.79	0.31	0.54	135.35	42.5	41.0
DB07525#24L		B.5	24	14.0~27.6	0.20	4.80	3500	9.35	0.26	0.39	97.88	40.2	41.0

All model could be customized on voltage or any other requirements to fit your need.

Dimensions (Unit:mm)



PQ Curve (At Rated Voltage)

