

7530

75x75x30MM

General Specifications

- ◆ Material..... Frame: Plastic (UL94V-0)
Impeller: Plastic (UL94V-0)
Lead Wire: UL1007AWG#24 or Equivalent (+) Red, (-) Black
- ◆ Expected Life..... Ball Bearing 70,000hrs (40°C)
Sleeve Bearing 30,000hrs (40°C)
- ◆ Temperature Range.... Operating Temperature -10°C~70°C (Non-condensing)
Storage Temperature -40°C~70°C (Non-condensing)
- ◆ Safety Standards..... UI, TUV, RoHS, CE
- ◆ DC Fan Specials..... RD, FG, PWM, Temperature Control, IP56

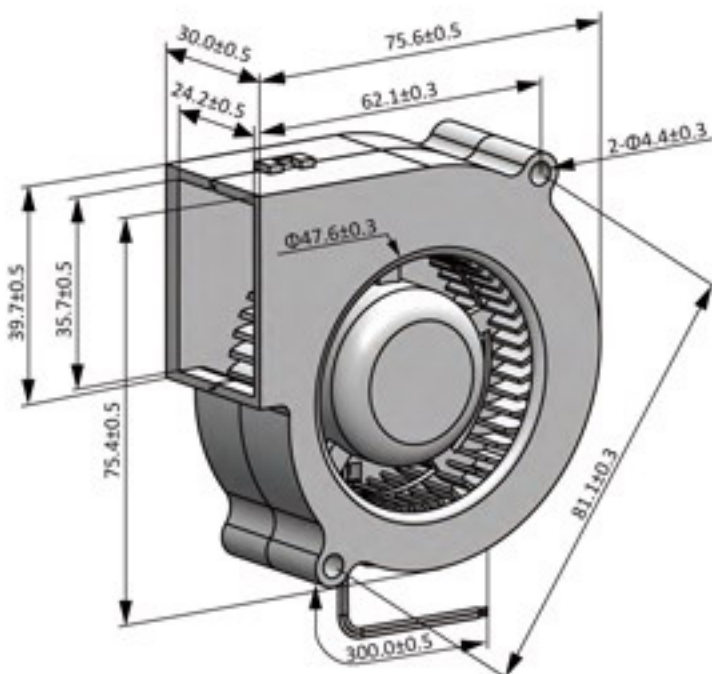


Specifications

Model	Rev	#Bearing Type	Rated Voltage	Operating Voltage	Input Current	Input Power	Speed	Max Air Flow		Max Static Pressure		Noise	Weight
Part No.	XXX	B	VDC	VDC	Amp	Watt	RPM	CFM	m ³ /min	Inch-H ₂ O	Pa	dB-A	g
DB07530#05U		B.S	5	3.5~5.5	1.50	7.50	4000	13.67	0.39	0.81	201.13	46.0	69.0
DB07530#05H		B.S	5	3.5~5.5	1.20	6.00	3500	12.25	0.35	0.60	149.55	40.0	69.0
DB07530#12H		B.S	12	7.0~13.8	0.60	7.20	4500	15.64	0.44	1.06	263.31	51.0	69.0
DB07530#12M		B.S	12	7.0~13.8	0.45	5.40	4000	13.67	0.39	0.81	201.13	46.0	69.0
DB07530#12L		B.S	12	7.0~13.8	0.35	4.20	3500	12.25	0.35	0.60	149.55	40.0	69.0
DB07530#24H		B.S	24	14.0~27.6	0.30	7.20	4500	15.64	0.44	1.06	263.31	51.0	69.0
DB07530#24M		B.S	24	14.0~27.6	0.25	6.00	4000	13.67	0.39	0.81	201.13	46.0	69.0
DB07530#24L		B.S	24	14.0~27.6	0.20	4.80	3500	12.25	0.35	0.60	149.55	40.0	69.0

All model could be customized on voltage or any other requirements to fit your need.

Dimensions (Unit:mm)



PQ Curve (At Rated Voltage)

