

12032 120x120x32MM

General Specifications



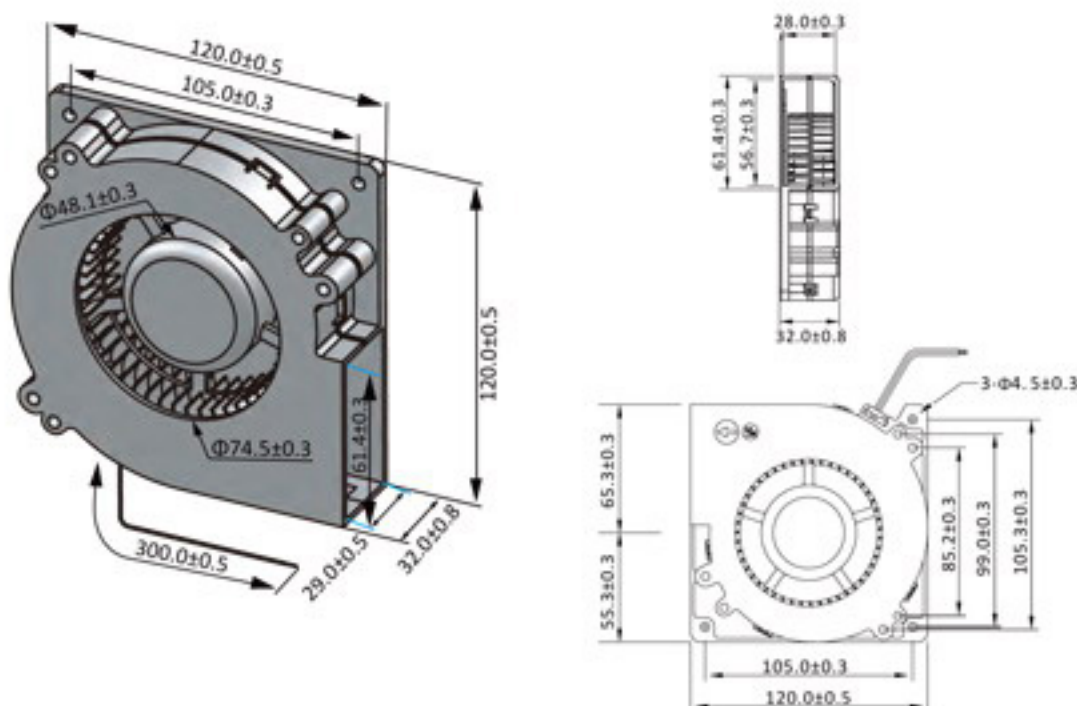
- ◆ Material..... Frame: Plastic (UL94V-0)
Impeller: Plastic (UL94V-0)
Lead Wire: UL1007AWG#24 or Equivalent (+) Red, (-) Black
- ◆ Expected Life..... Ball Bearing 70,000hrs (40°C)
Sleeve Bearing 30,000hrs (40°C)
- ◆ Temperature Range.... Operating Temperature -10°C~70°C (Non-condensing)
Storage Temperature -40°C~70°C (Non-condensing)
- ◆ Safety Standards..... UL, TUV, RoHS, CE
- ◆ DC Fan Specials..... RD, FG, PWM, IP56

Specifications

Model	Rev	#Bearing Type	Rated Voltage	Operating Voltage	Input Current	Input Power	Speed	Max Air Flow		Max Static Pressure		Noise	Weight
Part No.	XXX	B	VDC	VDC	Amp	Watt	RPM	CFM	m ³ /min	Inch-H ₂ O	Pa	dB-A	g
DB12032#12H		B.S	12	7.0~13.8	2.00	24.00	3500	41.20	1.17	1.85	461.99	57.0	278.0
DB12032#12M		B.S	12	7.0~13.8	1.00	12.00	3000	35.44	1.00	1.17	291.94	51.0	278.0
DB12032#12L		B.S	12	7.0~13.8	0.70	8.40	2500	30.79	0.87	0.83	207.90	45.0	278.0
DB12032#24H		B.S	24	14.0~27.6	1.00	24.00	3500	41.20	1.17	1.85	461.99	57.0	278.0
DB12032#24M		B.S	24	14.0~27.6	0.70	16.80	3000	35.44	1.00	1.17	291.94	51.0	278.0
DB12032#24L		B.S	24	14.0~27.6	0.40	9.60	2500	30.79	0.87	0.83	207.90	45.0	278.0
DB12032#48H		B.S	48	28.0~56.0	0.50	24.00	3500	41.20	1.17	1.85	461.99	57.0	278.0
DB12032#48M		B.S	48	28.0~56.0	0.30	14.40	3000	35.44	1.00	1.17	291.94	51.0	278.0
DB12032#48L		B.S	48	28.0~56.0	0.20	9.60	2500	30.79	0.87	0.83	207.90	45.0	278.0

All model could be customized on voltage or any other requirements to fit your need.

Dimensions (Unit:mm)



PQ Curve (At Rated Voltage)

