

# 8025 80x80x25mm

## General Specifications

- ◆ Material..... Frame: Die-Casting aluminum painted black, Impeller: PBT (UL94V-0)
- ◆ Motor ..... Shaded pole
- ◆ Protection..... Impedance protection or thermal protection
- ◆ Dielectric Strength..... 50/60Hz 1500VAC 1min (Between input terminal and frame)
- ◆ Temperature Range.... Operating temperature ball bearing -40°C~70°C (Non-condensing)  
Sleeve bearing -20°C~70°C (Non-condensing)
- ◆ Expected Life..... Ball bearing 50,000hrs at 40°C , Sleeve bearing 30000hrs at 40°C
- ◆ Safety Approval..... UL,CUL,CE,TUV



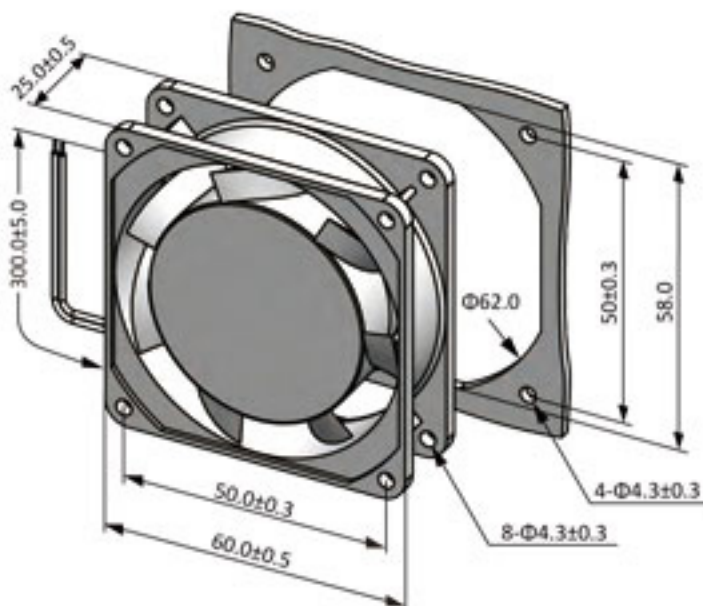
## Specifications

Model	Rated Voltage	Freq	Input Current	Input Power	Speed	Max Air Flow		Max Static Pressure		Noise	Weight	Curve
Part No.	VAC	Hz	Amp	Watt	RPM	CFM	m <sup>3</sup> /min	Inch-H <sub>2</sub> O	Pa	dB-A	g	
AA08025B11HL(T)	110	60	0.11	12	3000	16.96	0.48	0.16	39.49	35.2	230	1
AA08025S11HL(T)	110	60	0.11	12	2900	16.38	0.46	0.15	37.02	35.2	230	2
AA08025B22HL(T)	220	50	0.09	14	2550	14.93	0.42	0.11	27.05	31.0	230	3
AA08025S22HL(T)	220	50	0.09	14	2450	14.30	0.40	0.10	24.60	31.0	230	4

All model could be customized on voltage or any other requirements to fit your need.

Note: "11" is 110 VAC , "22" is 220 VAC , (L) is Leadwire , (T) is Terminal

## Dimensions (Unit:mm)



## PQ Curve (At rated Voltage)

