

12038 120x120x38mm

General Specifications

- ◆ Material..... Frame: Die-Casting aluminum painted black, Impeller: PBT (UL94V-0)
- ◆ Motor Shaded pole
- ◆ Protection..... Impedance protection or thermal protection
- ◆ Dielectric Strength..... 50/60Hz 1500VAC 1min (Between input terminal and frame)
- ◆ Temperature Range.... Operating temperature ball bearing -40°C~70°C (Non-condensing)
Sleeve bearing -20°C~70°C (Non-condensing)
- ◆ Expected Life..... Ball bearing 50,000hrs at 40°C , Sleeve bearing 30000hrs at 40°C
- ◆ Safety Approval..... UL, CUL, CE, TUV



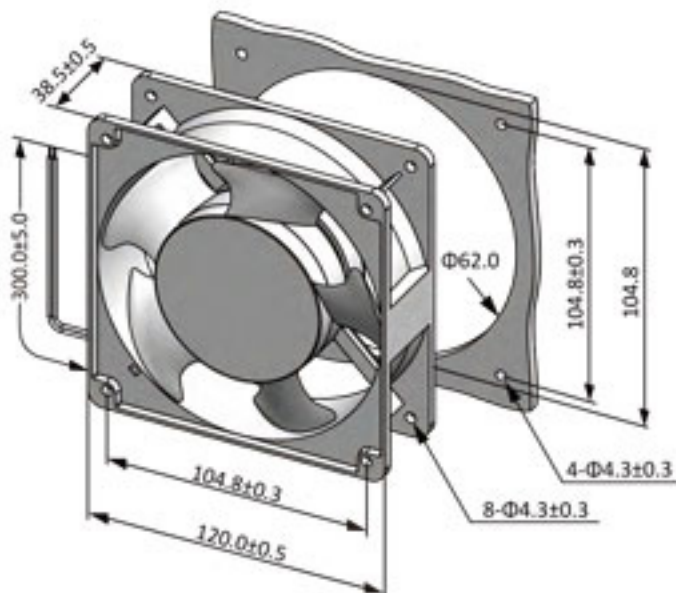
Specifications

Model	Bearing Type	Rated Voltage	Freq	Input Current	Input Power	Speed	Max Air Flow		Max Static Pressure		Noise	Weight	PQ Curve
Part No.	B/S	VAC	Hz	Amp	Watt	RPM	CFM	m ³ /min	Inch-H ₂ O	Pa	dB-A	g	
AA12038B11HL	B/S	110	60	0.23	21	2900	98.40	2.79	0.28	69.72	47.2	550	1
AA12038B11HL	B/S	110	50	0.19	18	2700	86.34	2.44	0.24	59.76	43.6	550	2
AA12038B11ML	B/S	110	60	0.19	17	2800	93.74	2.65	0.26	67.48	45.7	550	3
AA12038B11ML	B/S	110	50	0.15	15	2500	76.56	2.17	0.22	54.78	39.0	550	4
AA12038B22HL	B/S	220	60	0.13	20	2900	98.40	2.79	0.28	69.72	47.2	550	1
AA12038B22HL	B/S	220	50	0.11	18	2700	86.34	2.44	0.24	59.76	43.6	550	2
AA12038B22ML	B/S	220	60	0.11	17	2800	93.74	2.65	0.26	67.48	45.7	550	3
AA12038B22ML	B/S	220	50	0.10	15	2500	76.56	2.17	0.22	54.78	39.0	550	4

All model could be customized on voltage or any other requirements to fit your need.

Note: "11" is 110 VAC, "22" is 220 VAC, (L) is Leadwire, (T) is Terminal

Dimensions (Unit:mm)



PQ Curve (At Rated Voltage)

