

18065 180x180x65mm

General Specifications

- ◆ Material..... Frame: Die-Casting aluminum painted black, Impeller: PBT (UL94V-0)
- ◆ Motor Shaded pole
- ◆ Protection..... Impedance protection or thermal protection
- ◆ Dielectric Strength..... 50/60Hz 1500VAC 1min (Between input terminal and frame)
- ◆ Temperature Range.... Operating temperature ball bearing -40°C~70°C (Non-condensing)
- ◆ Expected Life..... Ball bearing 50,000hrs at 40°C
- ◆ Safety Approval..... UL,CUL,CE,TUV



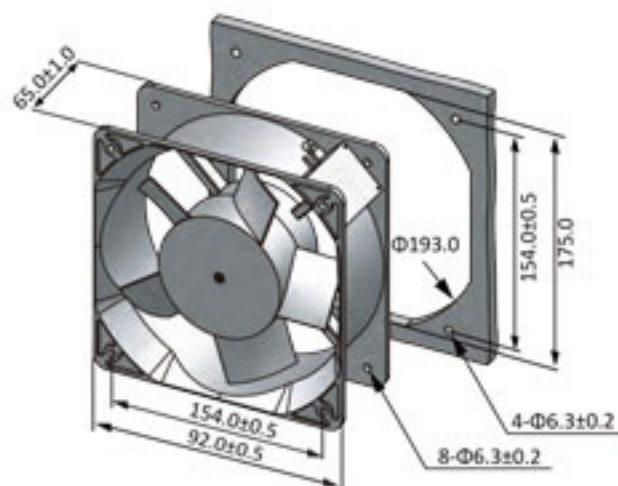
Specifications

Model	Rated Voltage	Freq	Input Current	Input Power	Speed	Max Air Flow		Max Static Pressure		Noise	Weight	Curve
Part No.	VAC	Hz	Amp	Watt	RPM	CFM	m ³ /min	Inch-H ₂ O	Pa	dB-A	g	
AA18065B11HL(T)	110	60	0.42	50	3000	395.30	11.19	0.85	211.65	68.0	1460	1
AA18065B22HL(T)	220	50	0.24	45	2300	345.50	9.78	0.70	174.30	63.0	1460	2

All model could be customized on voltage or any other requirements to fit your need.

Note: "11" is 110 VAC, "22" is 220 VAC, (L) is Leadwire, (T) is Terminal

Dimensions (Unit:mm)



PQ Curve (At Rated Voltage)

