

25489 $\Phi 254 \times 89 \text{mm}$

General Specifications

- ◆ Material..... Frame: Die-Casting aluminum painted black, Impeller: PBT (UL94V-0)
- ◆ Motor Shaded pole
- ◆ Protection..... Impedance protection or thermal protection
- ◆ Dielectric Strength..... 50/60Hz 1500VAC 1min (Between input terminal and frame)
- ◆ Temperature Range.... Operating temperature ball bearing $-40^{\circ}\text{C} \sim 70^{\circ}\text{C}$ (Non-condensing)
- ◆ Expected Life..... Ball bearing 50,000hrs at 40°C
- ◆ Safety Approval..... UL, CUL, CE, TUV



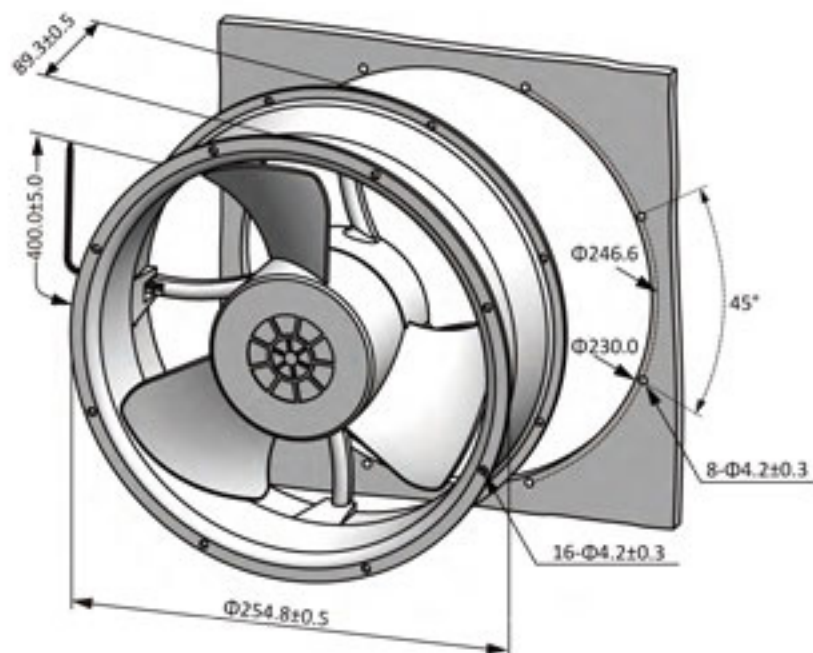
Specifications

Model	Rated Voltage	Freq	Input Current	Input Power	Speed	Max Air Flow		Max Static Pressure		Noise	Weight	Curve
Part No.	VAC	Hz	Amp	Watt	RPM	CFM	m^3/min	Inch-H ₂ O	Pa	dB-A	g	
AA25489B11HL(T)	110	60	1.00	110	2800	935.10	26.46	0.83	206.67	88.0	1780	1
AA25489B22HL(T)	220	50	0.40	87	2600	858.50	24.30	0.67	166.83	80.0	1780	2

All model could be customized on voltage or any other reuirements to fit your need.

Note: "11" is 110 VAC, "22" is 220 VAC, (L) is Leadwire, (T) is Terminal

Dimensions (Unit:mm)



PQ Curve (At Rated Voltage)

