

## 6038

### 100VAC to 240VAC Energy Saving AC Fan

# NEW



CE cULus

#### General Specifications

- ◆ Frame Size..... 60x60x38mm
- ◆ Material..... Frame: Plastic (UL94V-0), Impeller: Plastic (UL94V-0)  
Lead Wire: UL1007AWG#22 300mm or Terminal
- ◆ Motor Protection..... AF series fans have auto restart function
- ◆ Input Voltage..... A rated voltage range of 100V~240V(50/60Hz) AC&DC, Rotation speed remains constant even at different input voltages
- ◆ Dielectric Strength..... 50/60Hz 1500 VAC 1min (Between input terminal and frame)
- ◆ Temperature Range.... Operating Temperature -20°C~70°C (Non-condensing)  
Storage Temperature -40°C~70°C (Non-condensing)
- ◆ Expected life..... Ball Bearing 70,000hrs at 40°C (approximately 8 years)
- ◆ Fan Specials..... **RD FG PWM IP54 AS**

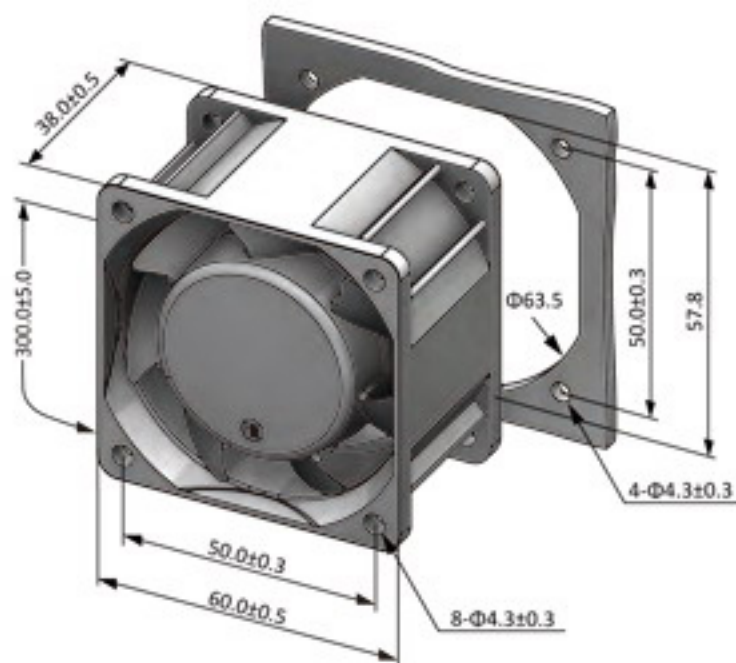
#### Specifications

Model	Rev	#Bearing Type	Rated Voltage	Input Current	Input Power	Speed	Max Air Flow		Max Static Pressure		Noise	Weight
Part No.	XXX	B.S	VAC	Amp	Watt	RPM	CFM	m <sup>3</sup> /min	Inch-H <sub>2</sub> O	Pa	dB-A	g
AF08038B**HL(T)		B	100~240	0.09	5.50	8000	29.90	0.84	0.82	205.3	56.0	145
AF08038B**ML(T)		B	100~240	0.06	3.20	7000	25.91	0.73	0.61	151.2	54.5	145
AF08038B**LL(T)		B	100~240	0.04	2.70	6000	22.48	0.64	0.46	115.2	50.3	145

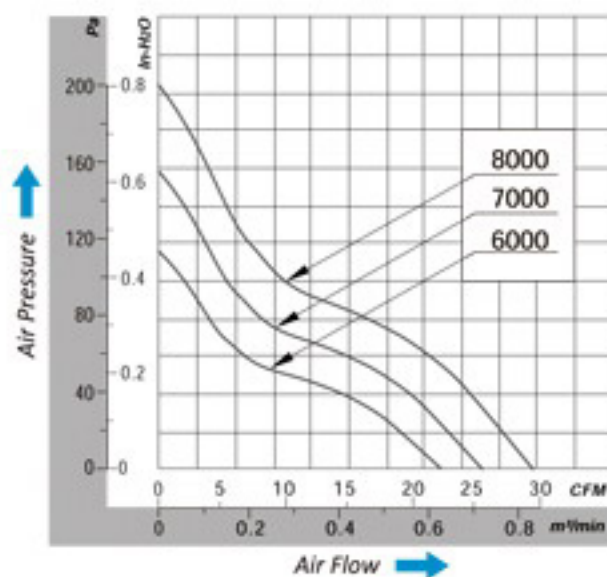
All model could be customized on voltage or any other requirements to fit your need.

Note: "00" "11" "22" are 220 VAC, (L) is Leadwire, (T) is Terminal

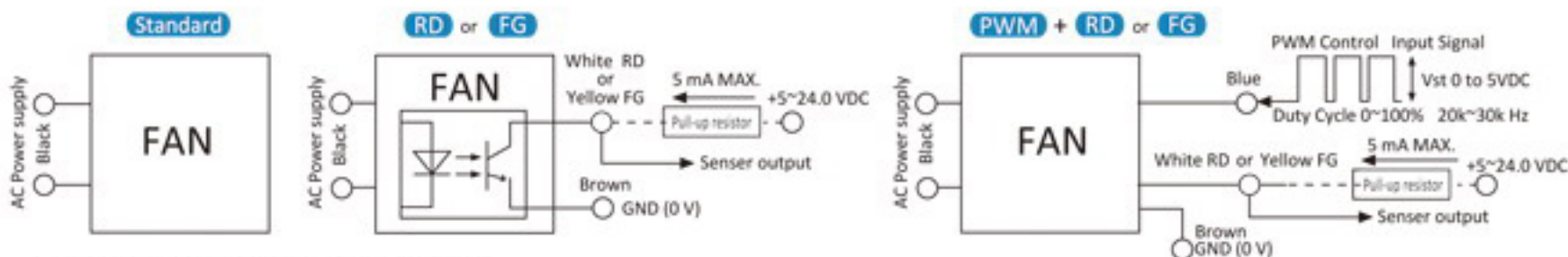
#### Dimensions (Unit:mm)



#### PQ Curve (At Rated Voltage)



#### Wiring Diagram



Note: Standard AF fan have two lead wire or Terminal.

RD or FG, have 4 lead wires. RD is White color, FG is Yellow color, Brown is Ground  
PWM with RD or FG signal have 5 lead wires, PWM is Blue color, Brown is Ground