

8025

100VAC to 240VAC
Energy Saving AC Fan

General Specifications

- ◆ Frame Size..... 80x80x25mm
- ◆ Material..... Frame: Plastic (UL94V-0), Impeller:Plastic(UL94V-0)
Lead Wire: UL1007AWG#22 300mm or Terminal
- ◆ Motor Protection..... AF series fans have auto restart function
- ◆ Input Voltage..... A rated voltage range of 100V~240V(50/60Hz) AC&DC ,Rotation speed remains constant even at different input voltages
- ◆ Dielectric Strength..... 50/60Hz 1500 VAC 1min (Between input terminal and frame)
- ◆ Temperature Range.... Operating Temperature -20°C~70°C (Non-condensing)
Storage Temperature -40°C~70°C (Non-condensing)
- ◆ Expected life..... Ball Bearing 70,000hrs at 40°C (approximately 8 years)
- ◆ Fan Specials..... **RD FG PWM IP54 AS**



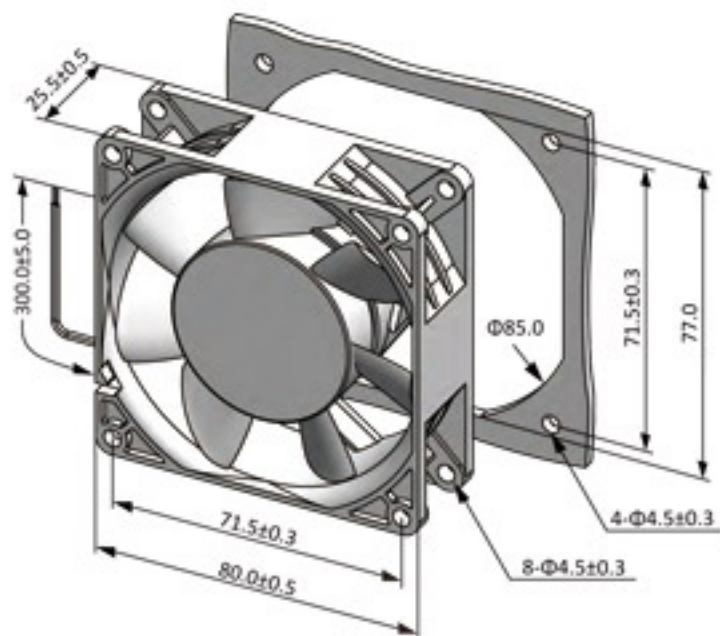
Specifications

Model	Rev	#Bearing Type	Rated Voltage	Input Current	Input Power	Speed	Max Air Flow		Max Static Pressure		Noise	Weight
Part No.	XXX	B.S	VAC	Amp	Watt	RPM	CFM	m ³ /min	Inch-H ₂ O	Pa	dB-A	g
AF08025B**HL(T)		B	100~240	0.06	4.50	3500	38.92	1.10	0.25	61.49	31.0	95
AF08025B**ML(T)		B	100~240	0.05	2.80	3000	32.13	0.91	0.17	42.27	27.0	95
AF08025B**LL(T)		B	100~240	0.04	1.60	2500	26.09	0.74	0.11	27.75	24.0	95

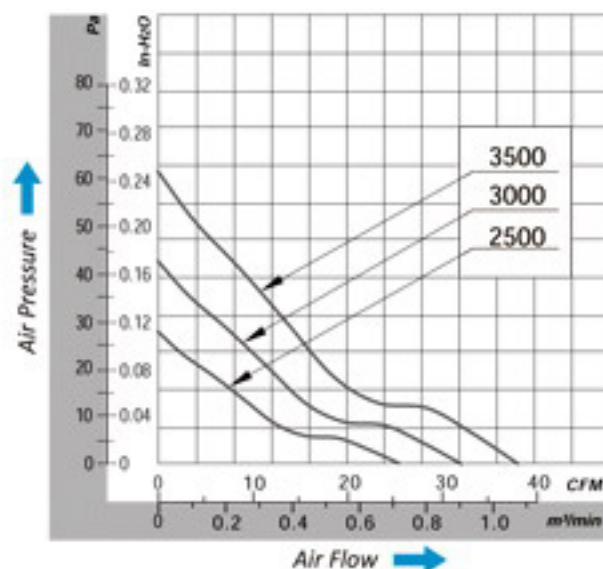
All model could be customized on voltage or any other requirements to fit your need.

Note: "00" "11" "22" are 220 VAC, (L) is Leadwire, (T) is Terminal

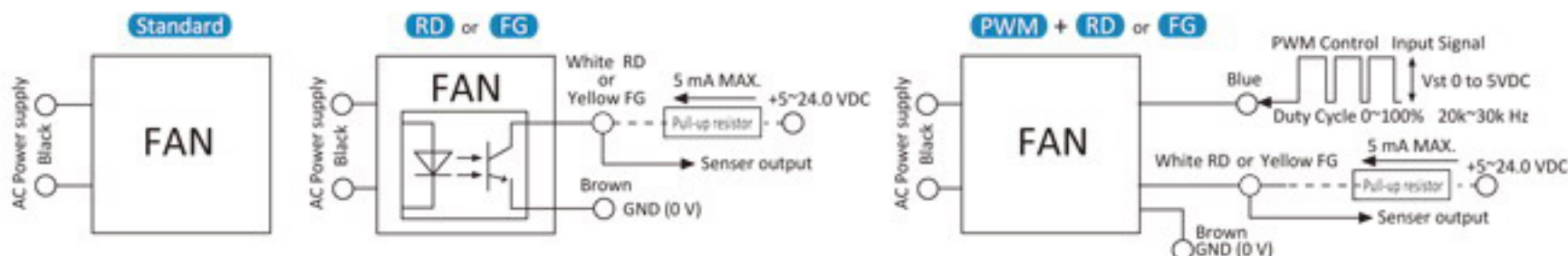
Dimensions (Unit:mm)



PQ Curve (At Rated Voltage)



Wiring Diagram



Note: Standard AF fan have two lead wire or Terminal.

RD or FG, have 4 lead wires. RD is White color, FG is Yellow color, Brown is Ground
PWM with RD or FG signal have 5 lead wires, PWM is Blue color, Brown is Ground