

20060

220VAC Energy Saving AC Fan



General Specifications

- ◆ Frame Size..... 200x200x60mm
- ◆ Material..... Frame: Aluminum (UL94V-0), Impeller: Plastic(UL94V-0)
Lead Wire: UL1007AWG#20 400mm
- ◆ Motor Protection..... AF series fans have auto restart function
- ◆ Input Voltage..... A rated voltage range of 200V~240V(50/60Hz) AC&DC ,Rotation speed remains constant even at different input voltages
- ◆ Dielectric Strength..... 50/60Hz 1500 VAC 1min (Between input terminal and frame)
- ◆ Temperature Range.... Operating Temperature -20°C~70°C (Non-condensing)
Storage Temperature -40°C~70°C (Non-condensing)
- ◆ Expected life..... Ball Bearing 50,000hrs at 40°C (approximately 6 years)
- ◆ Fan Specials..... **RD FG PWM IP54 AS**

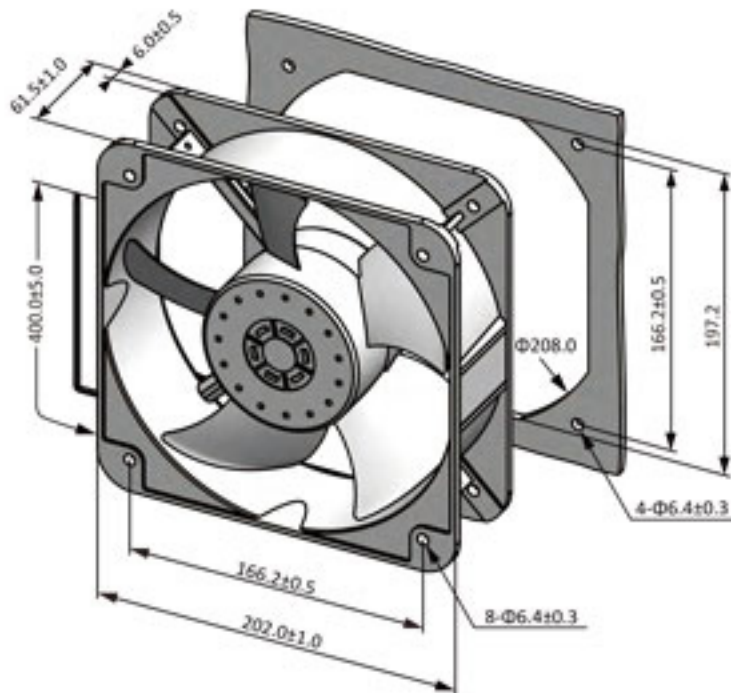
Specifications

Model	Rev	#Bearing Type	Rated Voltage	Input Current	Input Power	Speed	Max Air Flow		Max Static Pressure		Noise	Weight
Part No.	XXX	B.S	VAC	Amp	Watt	RPM	CFM	m ³ /min	Inch-H ₂ O	Pa	dB-A	g
AF20060B22HL		B	220	0.25	55.00	2600	474.97	13.45	0.57	143.08	61.7	1090
AF20060B22ML		B	220	0.12	20.00	2100	380.73	10.78	0.39	96.14	56.4	1090
AF20060B22LL		B	220	0.08	11.00	1600	303.51	8.59	0.25	62.92	49.8	1090

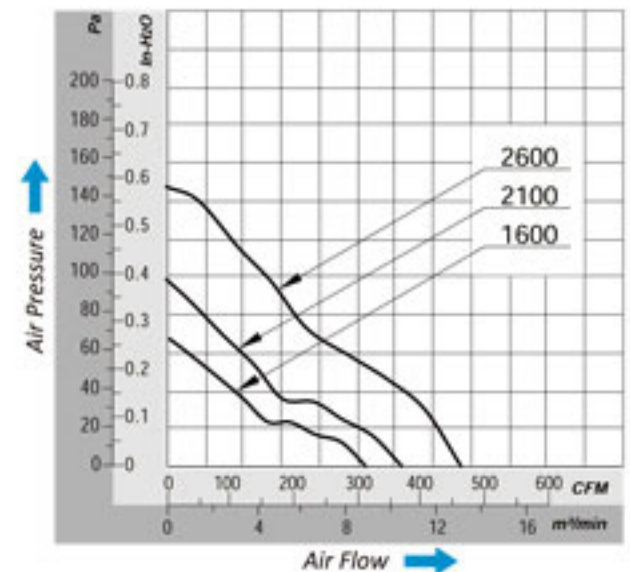
All model could be customized on voltage or any other requirements to fit your need.

Note: "22" is 220 VAC, (L) is Leadwire

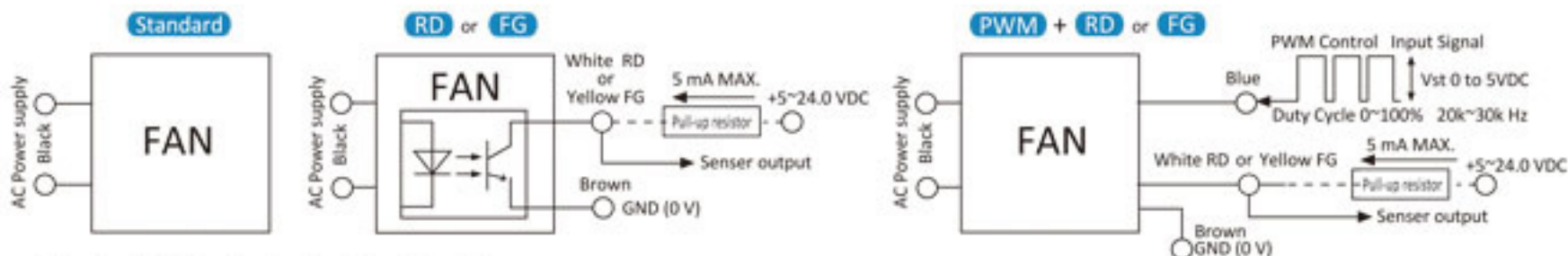
Dimensions (Unit:mm)



PQ Curve (At Rated Voltage)



Wiring Diagram



Note: Standard AF fan have two lead wire or Terminal.

RD or FG, have 4 lead wires. RD is White color, FG is Yellow color, Brown is Ground
PWM with RD or FG signal have 5 lead wires, PWM is Blue color, Brown is Ground