

25489

220VAC Energy Saving AC Fan



General Specifications

- ◆ Frame Size..... $\phi 254 \times 89 \text{mm}$
- ◆ Material..... Frame: Aluminum (UL94V-0), Impeller: Plastic (UL94V-0)
Lead Wire: UL1007AWG#20 400mm
- ◆ Motor Protection..... AF series fans have auto restart function
- ◆ Input Voltage..... A rated voltage range of 200V~240V(50/60Hz) AC&DC, Rotation speed remains constant even at different input voltages
- ◆ Dielectric Strength..... 50/60Hz 1500 VAC 1min (Between input terminal and frame)
- ◆ Temperature Range.... Operating Temperature $-20^{\circ}\text{C} \sim 70^{\circ}\text{C}$ (Non-condensing)
Storage Temperature $-40^{\circ}\text{C} \sim 70^{\circ}\text{C}$ (Non-condensing)
- ◆ Expected life..... Ball Bearing 50,000hrs at 40°C (approximately 6 years)
- ◆ Fan Specials..... **RD FG PWM IP54 AS**

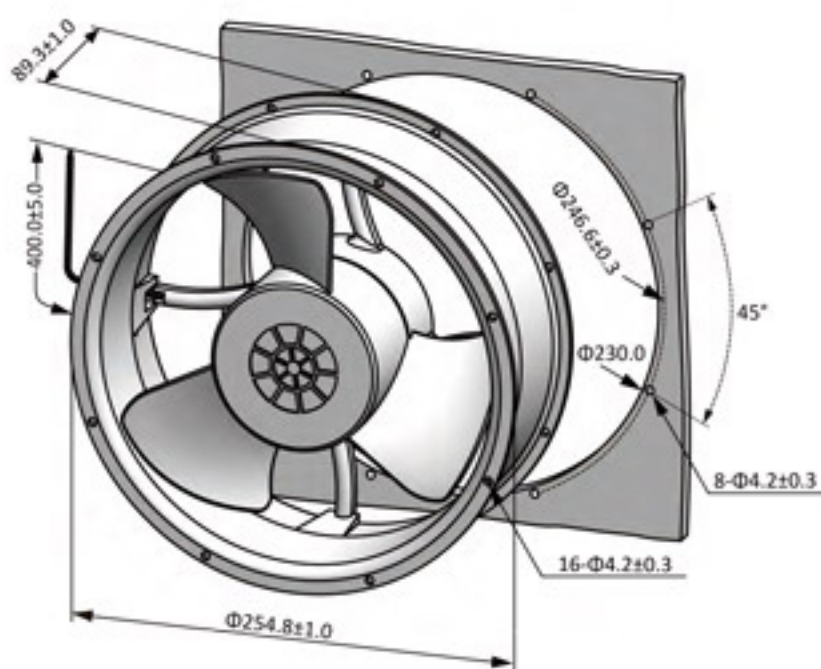
Specifications

Model	Rev	#Bearing Type	Rated Voltage	Input Current	Input Power	Speed	Max Air Flow		Max Static Pressure		Noise	Weight
Part No.	XXX	B.S	VAC	Amp	Watt	RPM	CFM	m ³ /min	Inch-H ₂ O	Pa	dB-A	g
AF25489B22HL		B	220	0.35	76.0	2900	947.3	1610.4	1.14	283.8	68.0	2140
AF25489B22ML		B	220	0.25	50.0	2600	831.9	1414.3	0.95	235.7	55.0	2140
AF25489B22LL		B	220	0.15	32.0	1600	501.1	851.9	0.34	85.4	42.0	2140

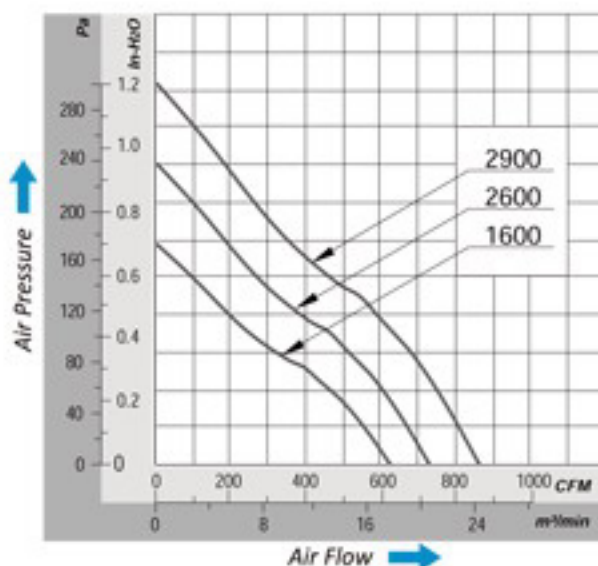
All model could be customized on voltage or any other requirements to fit your need.

Note: "22" is 220 VAC, (L) is Leadwire

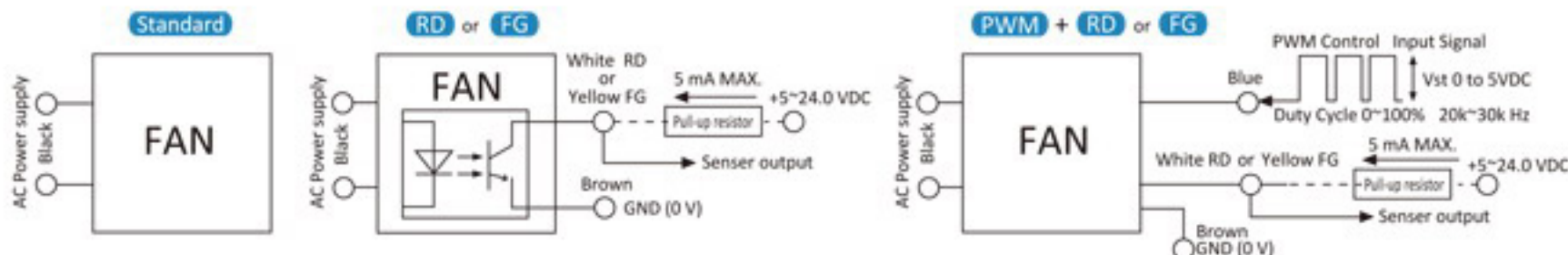
Dimensions (Unit:mm)



PQ Curve (At Rated Voltage)



Wiring Diagram



Note: Standard AF fan have two lead wire or Terminal.

RD or FG, have 4 lead wires. RD is White color, FG is Yellow color, Brown is Ground
PWM with RD or FG signal have 5 lead wires, PWM is Blue color, Brown is Ground