

## DC60

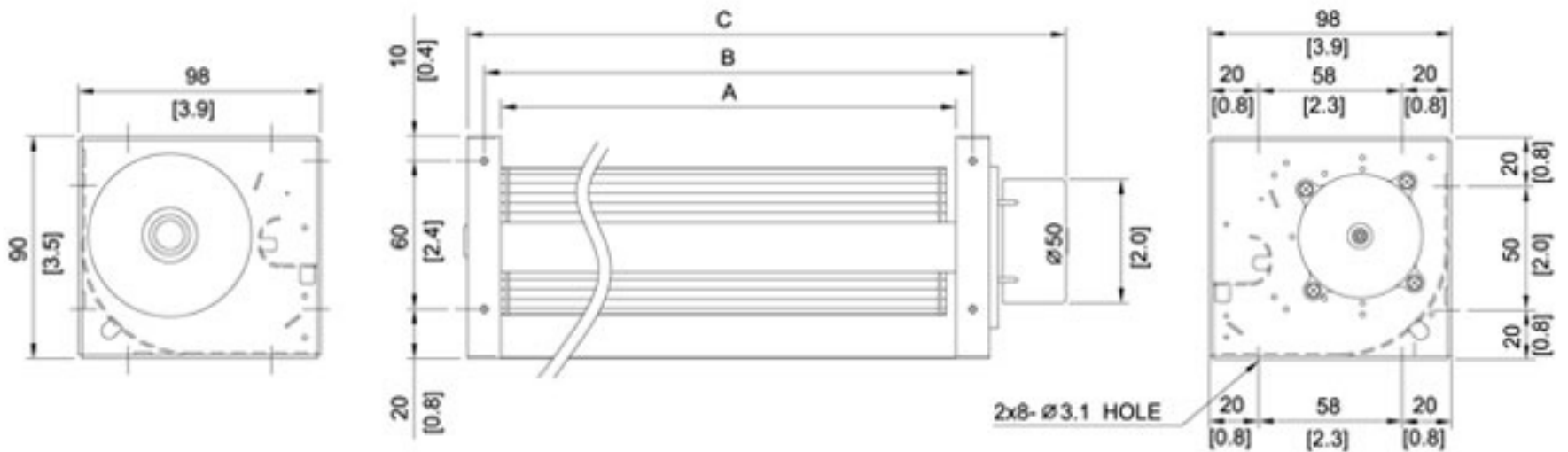
**NEW**



### General Specifications

- Impeller Diameter :60mm
- Impeller material: Aluminum
- Housing :Galvanized steel with black painting
- Rubber parts: Silicone
- Bearing: Ball Bearing
- Lead Wire: UL1007 AWG#24 or Equivalent (+)Red, (-)Black
- Expected life: Ball Bearing 50,000hrs(40°C)
- Operating temperature -10°C~+70°C(Non-condensing)
- Storage temperature -40°C~+70°C(Non-condensing)

### Dimensions(Unit:mm/inch)



### Specifications

MODEL NO.	DIMENSION(mm)			WEIGHT (g)	RATED VOLTAGE (V)	RATED CURRENT (A)	INPUT POWER (W)	SPEED (RPM)	MAX. AIR PRESSURE		MAX. AIR FLOW		NOISE dB(A)
	A	B	C						inch	H <sub>2</sub> O	mmH <sub>2</sub> O	CFM	
DC60090B12H	98	113	159	620	12	0.60	7.20	2500	0.20	5.1	60	1.7	46
DC60090B24H	98	113	159	620	24	0.30	7.20	2500	0.20	5.1	60	1.7	46
DC60180B12H	184	199	258	700	12	0.80	9.60	2400	0.18	4.6	88	2.5	44
DC60180B24H	184	199	258	700	24	0.40	9.60	2400	0.18	4.6	88	2.5	44
DC60240B12H	245	260	319	770	12	1.00	12.00	2300	0.17	4.3	117	3.3	42
DC60240B24H	245	260	319	770	24	0.50	12.00	2300	0.17	4.3	117	3.3	42
DC60300B12H	250	260	314	840	12	1.10	13.20	2200	0.16	4.1	131	3.7	40
DC60300B24H	250	260	314	840	24	0.55	13.20	2200	0.16	4.1	131	3.7	40
DC60350B12H	298	308	353	930	12	1.20	14.40	2000	0.14	3.6	156	4.4	37
DC60350B24H	298	308	353	930	24	0.60	14.40	2000	0.14	3.6	156	4.4	37
DC60420B12H	358	368	414	1000	12	1.20	14.40	1800	0.13	3.3	170	4.8	37
DC60420B24H	358	368	414	1000	24	0.60	14.40	1800	0.13	3.3	170	4.8	37

### PQ Curve(At Rated Voltage)

