



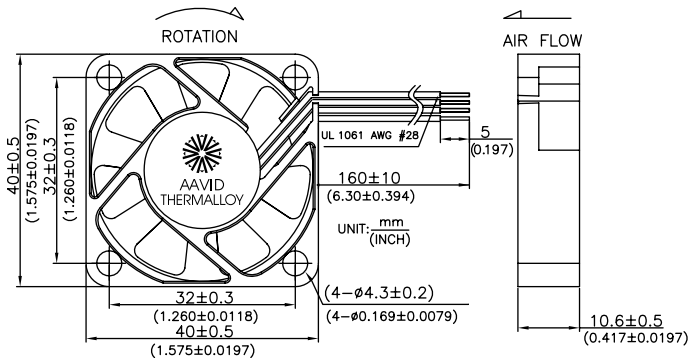
AAVID  
THERMALLOY

# Advance Series (PA) 40mm x 40mm x 10mm

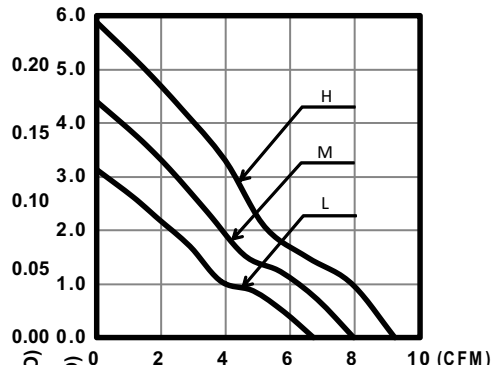


- » Bearing Type: FLB, Sleeve, Ball Bearing
- » Function Type (Optional): FG Signal
- » Protection (Optional) :  
Auto Restart Protection
- » Lead Wire:  
UL 1061 AWG #28 or Equivalent  
Red Wire: Positive (+)  
Black Wire: Negative (-)  
Yellow Wire: FG Signal

## DIMENSIONS DRAWING



## PERFORMANCE CURVES



## SPECIFICATION



Model	Function Type	Rated Voltage	Operating Voltage	Rated Current	Input Current	Input Power	Rated Speed	Air Flow		Air Pressure		Noise
		VDC	VDC	Amp	Amp	Watt		CMM	CFM	mmH <sub>2</sub> O	InH <sub>2</sub> O	
PAAD04010SL	0000/F000	5	4~5.75	0.16	0.11	0.55	5600	0.19	6.72	3.14	0.12	26.5
PAAD04010SM	P000/PF00	5	4~5.75	0.19	0.16	0.80	6600	0.23	7.97	4.41	0.17	31.0
PAAD14010SL	0000/F000 P000/PF00	12	6~13.8	0.14	0.08	0.96	5600	0.19	6.72	3.14	0.12	26.5
PAAD14010SM		12	6~13.8	0.16	0.10	1.20	6600	0.23	7.97	4.41	0.17	31.0
PAAD14010SH		12	6~13.8	0.18	0.12	1.44	7700	0.26	9.22	5.88	0.23	35.5
PAAD04010BL	0000/F000	5	4~5.75	0.16	0.11	0.55	5600	0.19	6.72	3.14	0.12	25.0
PAAD04010BM	P000/PF00	5	4~5.75	0.19	0.16	0.80	6700	0.23	7.97	4.41	0.17	29.5
PAAD14010BL	0000/F000 P000/PF00	12	6~13.8	0.14	0.08	0.96	5600	0.19	6.72	3.14	0.12	25.0
PAAD14010BM		12	6~13.8	0.16	0.10	1.20	6600	0.23	7.97	4.41	0.17	29.5
PAAD14010BH		12	6~13.8	0.18	0.12	1.44	7700	0.26	9.22	5.88	0.23	34.0

\* Specifications are subject to change without notice



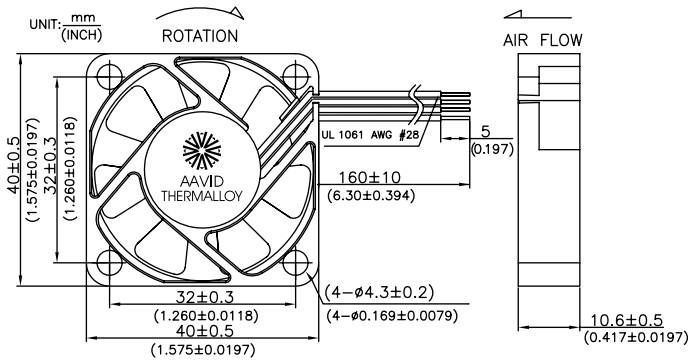
AAVID  
THERMALLOY

# Superior Series (PS) 40mm x 40mm x 10mm

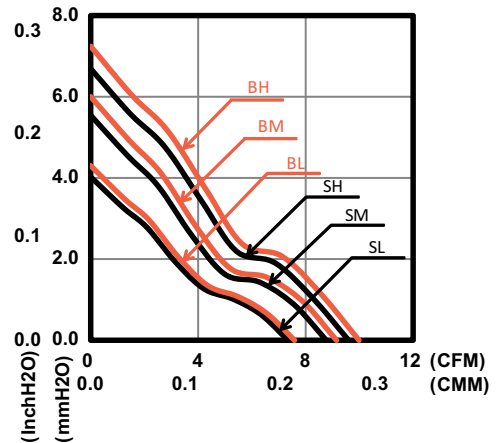


- » Bearing Type: FLB, Ball Bearing
- » Function Type (Optional) : FG Signal, RD Signal, PWM
- » Protection:
  - Auto Restart Protection
  - Polarity Reverse Protection
- » Lead Wire:
  - UL 1061 AWG #28 or Equivalent
  - Red Wire: Positive (+)
  - Black Wire: Negative (-)
  - Yellow Wire: FG Signal
  - White Wire: RD Signal
  - Blue Wire: PWM

## DIMENSIONS DRAWING



## PERFORMANCE CURVES



## SPECIFICATION



Model	Function Type	Rated Voltage	Operating Voltage	Rated Current	Input Current	Input Power	Rated Speed	Air Flow		Air Pressure		Noise
		VDC	VDC	Amp	Amp	Watt		RPM	CMM	CFM	mmH <sub>2</sub> O	
PSAD04010SL	P000/PF00 M000/MF00	5	4~5.75	0.12	0.08	0.40	6200	0.21	7.36	4.03	0.16	29.0
PSAD04010SM		5	4~5.75	0.18	0.13	0.65	7200	0.25	8.78	5.53	0.22	32.5
PSAD04010SH		5	4~5.75	0.24	0.18	0.90	7900	0.27	9.60	6.68	0.26	35.5
PSAD14010SL	P000/PF00 M000/MF00	12	6~13.8	0.07	0.06	0.66	6200	0.21	7.36	4.03	0.16	29.0
PSAD14010SM		12	6~13.8	0.09	0.07	0.84	7200	0.25	8.78	5.53	0.22	32.5
PSAD14010SH		12	6~13.8	0.13	0.10	1.20	7900	0.27	9.60	6.68	0.26	35.5
PSAD04010BL	P000/PF00 M000/MF00	5	4~5.75	0.12	0.08	0.40	6400	0.22	7.60	4.29	0.17	28.5
PSAD04010BM		5	4~5.75	0.18	0.13	0.65	7500	0.26	9.15	6.00	0.24	33.0
PSAD04010BH		5	4~5.75	0.24	0.16	0.80	8300	0.28	10.00	7.24	0.29	35.5
PSAD14010BL	P000/PF00 M000/MF00	12	6~13.8	0.07	0.06	0.66	6400	0.22	7.60	4.29	0.17	28.5
PSAD14010BM		12	6~13.8	0.09	0.07	0.84	7500	0.26	9.15	6.00	0.24	33.0
PSAD14010BH		12	6~13.8	0.13	0.10	1.20	8300	0.28	10.00	7.24	0.29	35.5

\* Specifications are subject to change without notice