



AAVID  
THERMALLOY

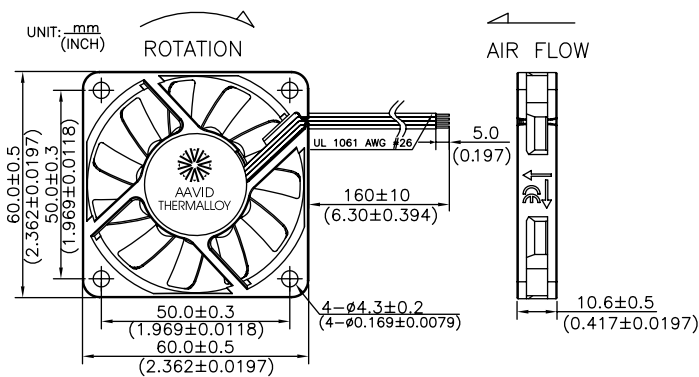
# Advance Series (PA) 60mm x 60mm x 10mm



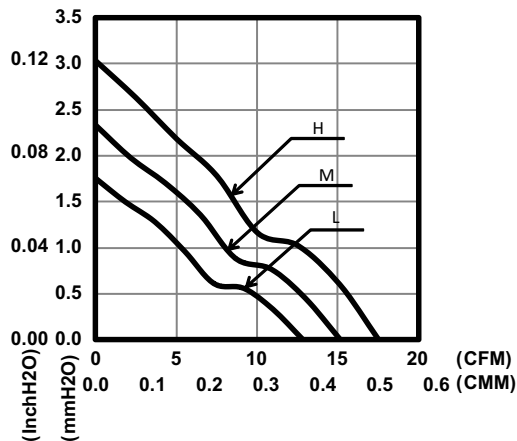
- » Bearing Type: FLB, Sleeve, Ball Bearing
- » Function Type (Optional): FG Signal
- » Protection (Optional):  
Auto Restart Protection
- » Lead Wire:  
UL 1061 AWG #26 or Equivalent  
Red Wire: Positive (+)  
Black Wire: Negative (-)  
Yellow Wire: FG Signal

PA SERIES 6010

## DIMENSIONS DRAWING



## PERFORMANCE CURVES



## SPECIFICATION



Model	Function Type	Rated Voltage	Operating Voltage	Rated Current	Input Current	Input Power	Rated Speed	Air Flow		Air Pressure		Noise
		VDC	VDC	Amp	Amp	Watt	RPM	CMM	CFM	mmH <sub>2</sub> O	InH <sub>2</sub> O	
PAAD06010SL	0000/F000 P000/PF00	5	4~5.75	0.35	0.11	0.55	3000	0.36	12.8	1.76	0.07	23.0
PAAD06010SM		5	4~5.75	0.45	0.18	0.90	3600	0.43	15.2	2.33	0.09	28.0
PAAD06010SH		5	4~5.75	0.55	0.30	1.50	4100	0.50	17.5	3.04	0.12	31.5
PAAD16010SM	0000/F000 P000/PF00	12	6~13.8	0.20	0.11	1.32	3600	0.43	15.2	2.33	0.09	28.0
PAAD16010SH		12	6~13.8	0.25	0.14	1.68	4100	0.50	17.5	3.04	0.12	31.5
PAAD06010BL	0000/F000 P000/PF00	5	4~5.75	0.35	0.11	0.55	3100	0.38	13.5	1.87	0.07	25.5
PAAD06010BM		5	4~5.75	0.45	0.18	0.90	3700	0.45	15.9	2.47	0.10	29.0
PAAD06010BH		5	4~5.75	0.55	0.30	1.50	4200	0.51	18.1	3.14	0.12	32.5
PAAD16010BM	0000/F000 P000/PF00	12	6~13.8	0.20	0.11	1.32	3700	0.45	15.9	2.47	0.10	29.0
PAAD16010BH		12	6~13.8	0.25	0.14	1.68	4200	0.51	18.1	3.14	0.12	32.5

\* Specifications are subject to change without notice



AAVID  
THERMALLOY

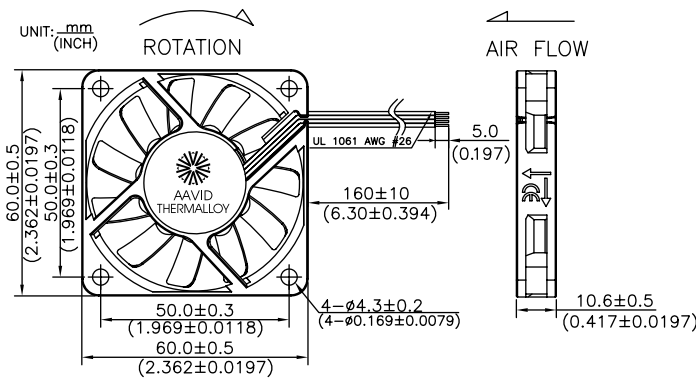
# Superior Series (PS) 60mm x 60mm x 10mm



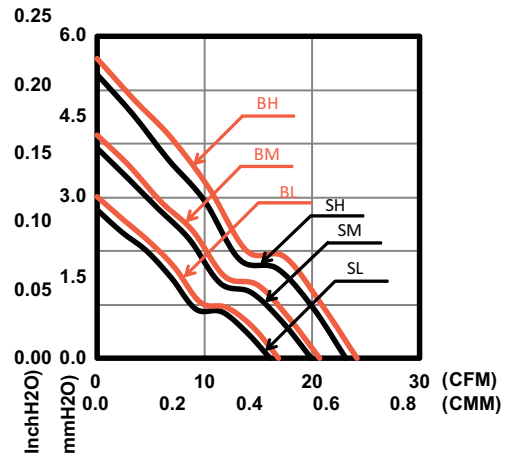
- » Bearing Type: FLB, Ball Bearing
- » Function Type (Optional): FG Signal, RD Signal, PWM
- » Protection:
  - Auto Restart Protection
  - Polarity Reverse Protection
- » Lead Wire:
  - UL 1061 AWG #26 or Equivalent
  - Red Wire: Positive (+)
  - Black Wire: Negative (-)
  - Yellow Wire: FG Signal
  - White Wire: RD Signal
  - Blue Wire: PWM

PS SERIES 6010

## DIMENSIONS DRAWING



## PERFORMANCE CURVES



## SPECIFICATION



Model	Function Type	Rated Voltage	Operating Voltage	Rated Current	Input Current	Input Power	Rated Speed	Air Flow		Air Pressure		Noise
		VDC	VDC	Amp	Amp	Watt	RPM	CMM	CFM	mmH <sub>2</sub> O	InH <sub>2</sub> O	
PSAD06010SL	P000/PF00 PR00/M000 MF00/MR00	5	4.5~5.5	0.23	0.18	0.90	3800	0.46	16.1	2.77	0.11	29.5
PSAD16010SL	P000/PF00	12	6~13.8	0.11	0.09	1.08	3800	0.46	16.1	2.77	0.11	29.5
PSAD16010SM	PR00/M000	12	6~13.8	0.18	0.14	1.68	4600	0.56	19.9	3.92	0.15	34.5
PSAD16010SH	MF00/MR00	12	6~13.8	0.26	0.21	2.52	5300	0.66	23.2	5.28	0.21	38.5
PSAD06010BL	P000/PF00 PR00/M000 MF00/MR00	5	4.5~5.5	0.23	0.18	0.90	4000	0.48	16.9	3.01	0.12	31.0
PSAD16010BL	P000/PF00	12	6~13.8	0.11	0.09	1.08	4000	0.48	16.9	3.01	0.12	31.0
PSAD16010BM	PR00/M000	12	6~13.8	0.18	0.15	1.80	4800	0.59	20.7	4.16	0.16	36.0
PSAD16010BH	MF00/MR00	12	6~13.8	0.26	0.20	2.40	5500	0.69	24.2	5.58	0.22	40.0

\* Specifications are subject to change without notice