



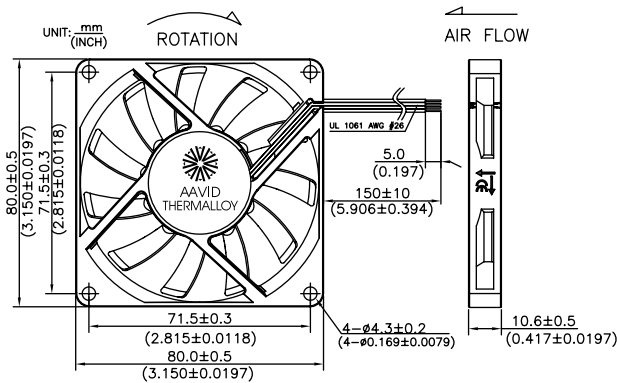
AAVID
THERMALLOY

Advance Series (PA) 80mm x 80mm x 10mm

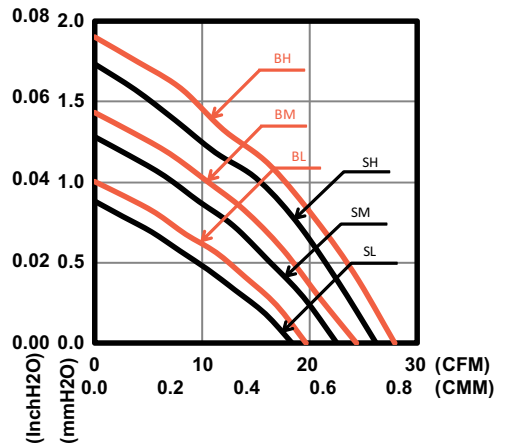


- » Bearing Type: FLB, Sleeve, Ball Bearing
- » Function Type (Optional): FG Signal
- » Protection (Optional) :
Auto Restart Protection
- » Lead Wire:
UL 1061 AWG #26 or Equivalent
Red Wire: Positive (+)
Black Wire: Negative (-)
Yellow Wire: FG Signal

DIMENSIONS DRAWING



PERFORMANCE CURVES



SPECIFICATION



Model	Function Type	Rated Voltage	Operating Voltage	Rated Current	Input Current	Input Power	Rated Speed	Air Flow		Air Pressure		Noise
		VDC	VDC	Amp	Amp	Watt	RPM	CMM	CFM	mmH ₂ O	InH ₂ O	
PAAD08010SL	0000/F000 P000/PF00	5	4~5.75	0.15	0.12	0.60	1900	0.52	18.4	0.88	0.04	22.0
PAAD08010SM		5	4~5.75	0.23	0.22	1.10	2300	0.64	22.6	1.28	0.05	26.5
PAAD08010SH		5	4~5.75	0.46	0.40	2.00	2700	0.74	26.2	1.73	0.07	30.0
PAAD18010SL(-)	0000/F000 P000/PF00	12	6~13.8	0.11	0.09	1.08	1900	0.52	18.4	0.88	0.04	22.0
PAAD18010SM(-)		12	6~13.8	0.16	0.13	1.56	2300	0.64	22.6	1.28	0.05	26.5
PAAD18010SH(-)		12	6~12.6	0.25	0.20	2.40	2700	0.74	26.2	1.73	0.07	30.0
PAAD08010BL	0000/F000 P000/PF00	5	4~5.75	0.15	0.12	0.60	2000	0.56	19.7	1.00	0.04	22.5
PAAD08010BM		5	4~5.75	0.28	0.22	1.10	2400	0.69	24.4	1.44	0.06	28.0
PAAD08010BH		5	4~5.75	0.50	0.40	2.00	2800	0.79	28.0	1.90	0.08	32.0
PAAD18010BL(-)	0000/F000 P000/PF00	12	6~13.8	0.11	0.09	1.08	2000	0.56	19.7	1.00	0.04	22.5
PAAD18010BM(-)		12	6~13.8	0.17	0.13	1.56	2400	0.69	24.4	1.44	0.06	28.0
PAAD18010BH(-)		12	6~12.6	0.25	0.20	2.40	2800	0.79	28.0	1.90	0.08	32.0

* Specifications are subject to change without notice



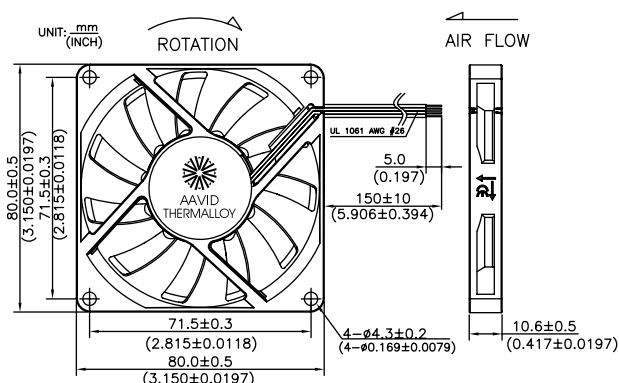
AAVID
THERMALLOY

Superior Series (PS) 80mm x 80mm x 10mm

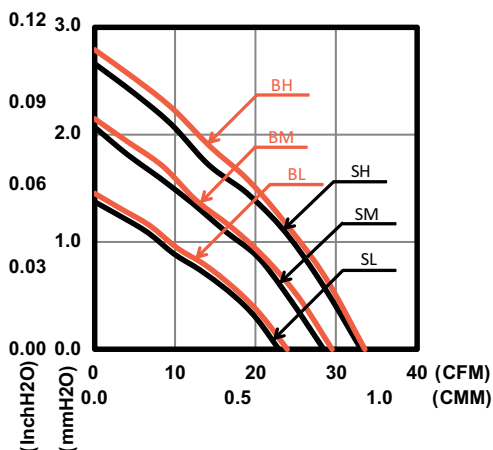


- » Bearing Type: FLB, Ball Bearing
- » Function Type (Optional): FG Signal, RD Signal, PWM
- » Protection:
 - Auto Restart Protection
 - Polarity Reverse Protection
- » Lead Wire:
 - UL 1061 AWG #26 or Equivalent
 - Red Wire: Positive (+)
 - Black Wire: Negative (-)
 - Yellow Wire: FG Signal
 - White Wire: RD Signal
 - Blue Wire: PWM

DIMENSIONS DRAWING



PERFORMANCE CURVES



SPECIFICATION



Model	Function Type	Rated Voltage	Operating Voltage	Rated Current	Input Current	Input Power	Rated Speed	Air Flow		Air Pressure		Noise
		VDC	VDC	Amp	Amp	Watt	RPM	CMM	CFM	mmH ₂ O	InH ₂ O	
PSAD08010SL	P000/PF00	5	4.5~5.5	0.22	0.17	0.85	2300	0.65	22.9	1.37	0.05	26.0
PSAD08010SM	PR00/M000	5	4.5~5.5	0.35	0.28	1.40	2800	0.81	28.5	2.07	0.08	32.0
	MF00/MR00											
PSAD18010SL	P000/PF00	12	6~13.8	0.12	0.09	1.08	2300	0.65	22.9	1.37	0.05	26.0
PSAD18010SM	PR00/M000	12	6~13.8	0.16	0.13	1.56	2800	0.81	28.5	2.07	0.08	32.0
PSAD18010SH	MF00/MR00	12	6~13.8	0.24	0.19	2.28	3200	0.94	33.1	2.66	0.11	35.5
PSAD08010BL	P000/PF00	5	4.5~5.5	0.22	0.16	0.80	2400	0.68	23.9	1.46	0.06	28.0
PSAD08010BM	PR00/M000	5	4.5~5.5	0.35	0.28	1.40	2900	0.83	29.5	2.15	0.09	33.0
	MF00/MR00											
PSAD18010BL	P000/PF00	12	6~13.8	0.12	0.09	1.08	2400	0.68	23.9	1.46	0.06	28.0
PSAD18010BM	PR00/M000	12	6~13.8	0.16	0.12	1.44	2900	0.83	29.5	2.15	0.09	33.0
PSAD18010BH	MF00/MR00	12	6~13.8	0.24	0.16	1.92	3300	0.95	33.6	2.79	0.11	36.0

* Specifications are subject to change without notice